

SERVICE MANUAL

STEREO AV RECEIVER

SPECIFICATIONS

FM tuner section

Tuning range 87.5 MHz to 108 MHz
 Usable sensitivity 13.2 dBf
 (IHF)
 Antenna terminals 75 ohms (unbalanced)

MW tuner section

Tuning range 531 kHz to 1602 kHz (9 kHz step)
 530 kHz to 1710 kHz (10 kHz step)
 Usable sensitivity 350 μ V/m
 Antenna Loop antenna

LW tuner section

Tuning range 144 kHz to 290 kHz
 Usable sensitivity 1400 μ V/m
 Antenna Loop antenna

Amplifier section

Power output [Stereo Mode]
Front
 Rated: 160 W + 160 W (8 ohms,
 T.H.D. 1%, 1 kHz/DIN 45500)
 Reference: 190 W + 190 W (8 ohms,
 T.H.D. 10%, 1 kHz/DIN 45324)
 DIN MUSIC POWER: 310 W + 310 W
 [Dolby Digital Surround or Dolby Pro
 Logic Mode]
Front
 Rated: 100 W + 100 W (8 ohms,
 T.H.D. 1%, 1 kHz/DIN 45500)
 Reference: 120 W + 120 W (8 ohms,
 T.H.D. 10%, 1 kHz/DIN 45324)
 DIN MUSIC POWER: 155 W + 155 W
Rear (Surround)
 Rated: 100 W + 100 W (8 ohms, T.H.D.
 1%, 1 kHz/DIN 45500)
 Reference: 120 W + 120 W (8 ohms,
 T.H.D. 10%, 1 kHz/DIN 45324)
 DIN MUSIC POWER: 155 W + 155 W
Center
 Rated: 100 W (8 ohms, T.H.D. 1%, 1
 kHz/DIN 45500)
 Reference: 120 W (8 ohms, T.H.D.
 10%, 1 kHz/DIN 45324)
 DIN MUSIC POWER: 155 W

Total harmonic distortion 0.1 % (80 W, 1 kHz, 8 ohms, Front)

Inputs

AUDIO IN
 PHONO: 2.5 mV, adjustable (47 kohms)
 CD, VIDEO 1/DVD/MD, VIDEO 2/LD/
 TV, VIDEO 3: 320 mV, adjustable (47
 kohms)
 TAPE MONITOR: 350 mV, adjustable
 (47 kohms)
 AUX: 250 mV, adjustable (47 kohms)
DIGITAL IN
 COAXIAL (VIDEO 2):
 OPTICAL (VIDEO 1):
 OPTICAL (VIDEO 3):
 accept linear PCM (32 kHz, 44.1
 kHz and 48 kHz) signals and bit
 stream of Dolby Digital Surround
 VIDEO IN: 1 Vp-p (75 ohms)


Outputs

AUDIO OUT (REC OUT): 300 mV (1
 kohm)
 VIDEO OUT (MONITOR): 1 Vp-p (75
 ohms)
 SUPER WOOFER: 5.0 V
 FRONT SPEAKERS IMP: 8 Ω /4 Ω
 selectable (front speakers A and B):
 with the SPEAKER IMPEDANCE
 SELECTOR set to 4 Ω , accepts
 speakers of 4 ohms.
 with the SPEAKER IMPEDANCE
 SELECTOR set to 8 Ω , accepts
 speakers of 8 ohms or more.
 SURROUND SPEAKERS IMP: 8 Ω
 (surround speakers): accepts
 speakers of 8 ohms or more
 CENTER SPEAKER IMP: 8 Ω /4 Ω
 selectable
 with the SPEAKER IMPEDANCE
 SELECTOR set to 4 Ω , accepts
 speaker of 4 ohms.
 with the SPEAKER IMPEDANCE
 SELECTOR set to 8 Ω , accepts
 speaker of 8 ohms or more.
 PHONES (stereo jack): accepts
 headphones of 32 ohms or more
 -20 dB

Muting

General

Power requirements 230 V AC, 50 Hz
Power consumption 285 W
Dimensions 430 × 155 × 385 mm
 (W × H × D)
Weight 12 kg

- Design and specifications are subject to change without notice.
- Dolby noise reduction manufactured under license from Dolby Laboratories Licensing Corporation. "DOLBY" and the double-D symbol  are trademarks of Dolby Laboratories Licensing Corporation.
- The word "BBE" and the "BBE symbol" are trademarks of BBE Sound, Inc. Under license from BBE Sound, Inc.

ACCESSORIES/PACKAGE LIST

DESCRIPTIONで判断できない物は "REFERENCE NAME LIST" を参照してください。
 If can't understand for Description please kindly refer to "REFERENCE NAME LIST".

REF. NO	PART NO.	KANRI NO.	DESCRIPTION
1	8Z-AR2-906-010	IB,EZ(9L)M	
2	87-006-225-010	AM LOOP ANT NC2	
3	87-043-106-010	WIRE, FM ANT (Z)	
4	8Z-AR3-702-010	RC UNIT, RC-ZAR02	

ELECTRICAL MAIN PARTS LIST

DESCRIPTIONで判断できない物は "REFERENCE NAME LIST" を参照してください。
 If can't understand for Description please kindly refer to "REFERENCE NAME LIST".

REF. NO	PART NO.	KANRI NO.	DESCRIPTION	REF. NO	PART NO.	KANRI NO.	DESCRIPTION
IC					87-A40-115-060		DIODE,RS603M
	87-017-888-080	IC,NJM4558MD			87-A40-469-080		C-DIODE,HSM2838CTR
	87-017-915-080	IC,BU4094BCF			87-A40-004-080		ZENER,MTZJ16A
	87-A20-823-010	C-IC,YSS248			87-A40-335-080		ZENER,MTZJ11C T-72
	87-A20-824-010	C-IC,CS4226			87-A40-224-010		DIODE,GBU8D
	87-020-903-010	IC,NJM7805FA			87-070-274-080		DIODE,1N4003 SEM
	8Z-AR1-632-010	C-IC,UPD780228GF-043			87-A40-435-080		ZENER,MTZJ30D
	87-017-022-080	IC,NJM2068M-D(T1)			87-A40-347-080		ZENER,MTZJ2.2B
	87-070-083-010	IC,GP1U281X			87-A40-646-010		DIODE,FMB-G16L
	87-020-784-080	IC,TC4053BF			87-070-136-080		ZENER,MTZJ5.1B
	87-A20-870-010	IC,GP1F37R			87-A40-488-080		DIODE,1SS244
	87-A21-018-040	C-IC,M65849BFP631D			87-017-931-080		ZENER,MTZJ5.6B
	87-001-604-080	IC,TC74HCU04F			87-A40-348-080		ZENER,MTZJ3.3A
	87-002-298-080	IC,TC74HC00AF			87-A40-438-080		ZENER,MTZJ4.7A
	87-A20-715-010	IC,M62439SP			87-A40-234-080		ZENER,MTZJ5.6A
	87-017-726-080	IC,BU4052 BCF			87-A40-002-080		ZENER,MTZJ5.1C
	87-A21-202-040	C-IC,M62445AFP			87-020-465-010		DIODE,1SS133 (110MA)
	87-A20-056-010	IC,BA3880S			87-A40-270-080		C-DIODE,MC2838
	87-A20-437-010	C-IC,M62431FP					
	87-070-127-110	IC,LC72131 D		MAIN C.B			
	87-A20-913-010	IC,LA1837NL			C101	87-010-235-080	CAP,E 470-16 SME
	87-A20-440-040	C-IC,BU1920FS			C102	87-010-235-080	CAP,E 470-16 SME
	87-A20-820-010	IC,BA7625			C103	87-010-384-080	CAP, ELECT 100-25V
	87-017-917-080	IC,BU4066BCF			C104	87-016-128-080	CAP,E 22-25 105
					C105	87-010-247-080	CAP, ELECT 100-50V
TRANSISTOR					C106	87-010-384-080	CAP, ELECT 100-25V
	87-A30-197-080	TR,KTA1267GR			C108	87-012-140-080	CAP 470P
	87-026-245-080	TR,DTC114ES			C109	87-012-368-080	C-CAP,S 0.1-50 F
	87-A30-198-080	TR,KTC3199GR			C110	87-012-368-080	C-CAP,S 0.1-50 F
	87-A30-071-080	C-TR,RT1N 144C			C111	87-012-368-080	C-CAP,S 0.1-50 F
	87-A30-073-080	C-TR,RT1N 141C			C112	87-012-368-080	C-CAP,S 0.1-50 F
	89-110-372-080	TR,2SA1037(140MHZ 200MW)			C113	87-016-658-090	CAP,E 4700-35 SMG
	89-213-750-010	TR,2SB1375 (25W)			C114	87-016-658-090	CAP,E 4700-35 SMG
	87-A30-083-080	TR,CSD1489B			C115	87-012-368-080	C-CAP,S 0.1-50 F
	87-A30-085-040	C-TR,CSA1362GR			C116	87-012-368-080	C-CAP,S 0.1-50 F
	87-A30-075-080	C-TR,2SA1235F			C117	87-012-368-080	C-CAP,S 0.1-50 F
	89-112-965-080	TR,2SA1296 (0.75W)			C118	87-012-368-080	C-CAP,S 0.1-50 F
	87-A30-076-080	C-TR,2SC3052F			C119	87-A11-316-090	CAP,E 8200-85
	87-026-610-080	TR,KTC3198GR			C120	87-A11-316-090	CAP,E 8200-85
	87-A30-074-080	C-TR,RT1P 141C			C121	87-010-260-080	CAP, ELECT 47-25V
	89-213-702-010	TR,2SB1370 (1.8W)			C122	87-010-403-080	CAP, ELECT 3.3-50V
	87-A30-086-070	C-TR,CSD1306E			C123	87-010-384-080	CAP, ELECT 100-25V
	87-A30-072-080	C-TR,RT1P 144C			C124	87-010-384-080	CAP, ELECT 100-25V
	87-A30-087-080	C-FET,2SK2158			C125	87-A10-417-080	CAP,E 47-63 M SME
	87-026-263-080	C-TR,RN1410			C126	87-010-263-080	CAP, ELECT 100-10V
	87-026-609-080	TR,KTA1266GR			C127	87-010-197-080	CAP, CHIP 0.01 DM
	87-A30-257-080	C-TR,2SD1306E			C131	87-010-544-080	CAP, ELECT 0.1-50V
	87-A30-107-070	C-TR,CMBT5401			C133	87-010-404-080	CAP, ELECT 4.7-50V
	87-A30-190-080	TR,CC5551			C135	87-012-368-080	C-CAP,S 0.1-50 F
	87-A30-097-010	TR,FP 1016			C136	87-012-368-080	C-CAP,S 0.1-50 F
	87-A30-098-010	TR,FP 1016			C143	87-A10-712-080	C-CAP,S 0.22-50 Z F
	87-A30-106-070	C-TR,CMBT5551			C144	87-A10-712-080	C-CAP,S 0.22-50 Z F
	87-A30-162-010	FET,2SK2937			C149	87-010-154-080	CAP CHIP 10P
	87-026-236-080	TR,DTC124E,K			C150	87-010-154-080	CAP CHIP 10P
	87-026-232-080	TR,DTA144WK			C153	87-010-401-080	CAP, ELECT 1-50V
	87-026-608-080	C-TR,DTC 123 JK			C154	87-010-401-080	CAP, ELECT 1-50V
	87-A30-196-080	TR,2SC4115SRS			C155	87-010-196-080	CHIP CAPACITOR,0.1-25
	89-327-143-080	TR,2SC2714 (0.1W)			C156	87-010-196-080	CHIP CAPACITOR,0.1-25
	89-503-602-080	C-FET,2SK360E			C157	87-010-408-080	CAP, ELECT 47-50V
					C158	87-010-248-080	CAP, ELECT 220-10V
DIODE					C159	87-010-154-080	CAP CHIP 10P
	87-020-465-080	DIODE,1SS133 (110MA)			C169	87-010-154-080	CAP CHIP 10P
	87-A40-291-080	DIODE,1N4148 (CPT)			C170	87-010-154-080	CAP CHIP 10P
	87-A40-344-080	ZENER,MTZJ6.2C			C171	87-010-196-080	CHIP CAPACITOR,0.1-25
	87-A40-345-080	ZENER,MTZJ10C			C172	87-010-154-080	CAP CHIP 10P
	87-A40-468-080	C-DIODE,HSM2836CTR			C173	87-010-405-080	CAP, ELECT 10-50V
	87-027-686-080	ZENER,HZ-12A1			C174	87-010-401-080	CAP, ELECT 1-50V
					C175	87-010-196-080	CHIP CAPACITOR,0.1-25
					C203	87-010-178-080	CHIP CAP 1000P

REF. NO	PART NO.	KANRI NO.	DESCRIPTION	REF. NO	PART NO.	KANRI NO.	DESCRIPTION
C204	87-010-178-080		CHIP CAP 1000P	C398	87-012-368-080		C-CAP,S 0.1-50 F
C205	87-010-405-080		CAP, ELECT 10-50V	C402	87-010-181-080		CAP,CHIP S 1800P
C206	87-010-405-080		CAP, ELECT 10-50V	C403	87-010-405-080		CAP, ELECT 10-50V
C208	87-016-299-080		CAP,E 10-100 SME	C405	87-010-408-080		CAP, ELECT 47-50V
C209	87-010-406-080		CAP, ELECT 22-50	C406	87-010-322-080		C-CAP,S 100P-50 CH
C210	87-010-406-080		CAP, ELECT 22-50	C408	87-A10-897-080		CAP,E 100-25 BP SME
C211	87-010-322-080		C-CAP,S 100P-50 CH	C409	87-A10-516-080		C-CAP,S 100P-200 J CH
C212	87-010-322-080		C-CAP,S 100P-50 CH	C411	87-010-805-080		CAP, S 1-16
C215	87-A10-897-080		CAP,E 100-25 BP SME	C412	87-010-402-080		CAP, ELECT 2.2-50V
C216	87-A10-897-080		CAP,E 100-25 BP SME	C413	87-010-196-080		CHIP CAPACITOR,0.1-25
C217	87-A10-516-080		C-CAP,S 100P-200 J CH	C414	87-010-178-080		CHIP CAP 1000P
C218	87-A10-516-080		C-CAP,S 100P-200 J CH	C416	87-016-299-080		CAP,E 10-100 SME
C221	87-010-805-080		CAP, S 1-16	C417	87-A10-946-080		C-CAP,S 220P-100 J CH
C222	87-010-805-080		CAP, S 1-16	C420	87-A10-354-080		C-CAP,S 0.047-50 K B
C223	87-010-402-080		CAP, ELECT 2.2-50V	C485	87-010-186-080		CAP,CHIP 4700P
C224	87-010-402-080		CAP, ELECT 2.2-50V	C491	87-012-368-080		C-CAP,S 0.1-50 F
C225	87-010-196-080		CHIP CAPACITOR,0.1-25	C492	87-012-368-080		C-CAP,S 0.1-50 F
C226	87-016-251-080		CAP,E 220-16 M SMG	C493	87-010-191-080		C-CAP,S 0.015-50 F
C227	87-010-178-080		CHIP CAP 1000P	C494	87-012-368-080		C-CAP,S 0.1-50 F
C228	87-010-178-080		CHIP CAP 1000P	C501	87-010-404-080		CAP, ELECT 4.7-50V
C229	87-016-251-080		CAP,E 220-16 M SMG	C502	87-010-404-080		CAP, ELECT 4.7-50V
C230	87-A10-354-080		C-CAP,S 0.047-50 K B	C503	87-012-157-080		C-CAP,S 330P-50 CH
C231	87-A10-354-080		C-CAP,S 0.047-50 K B	C504	87-012-157-080		C-CAP,S 330P-50 CH
C232	87-A10-946-080		C-CAP,S 220P-100 J CH	C511	87-010-404-080		CAP, ELECT 4.7-50V
C285	87-010-186-080		CAP,CHIP 4700P	C512	87-010-404-080		CAP, ELECT 4.7-50V
C287	87-010-191-080		C-CAP,S 0.015-50 F	C513	87-010-260-080		CAP, ELECT 47-25V
C288	87-010-191-080		C-CAP,S 0.015-50 F	C514	87-010-260-080		CAP, ELECT 47-25V
C289	87-010-191-080		C-CAP,S 0.015-50 F	C515	87-010-370-080		CAP,E 330-6.3 SME
C290	87-010-191-080		C-CAP,S 0.1-50 F	C516	87-010-370-080		CAP,E 330-6.3 SME
C291	87-012-368-080		C-CAP,S 0.1-50 F	C517	87-010-196-080		CHIP CAPACITOR,0.1-25
C292	87-012-368-080		C-CAP,S 0.1-50 F	C518	87-010-196-080		CHIP CAPACITOR,0.1-25
C293	87-012-368-080		C-CAP,S 0.1-50 F	C519	87-010-196-080		CHIP CAPACITOR,0.1-25
C294	87-012-368-080		C-CAP,S 0.1-50 F	C520	87-010-196-080		CHIP CAPACITOR,0.1-25
C295	87-012-368-080		C-CAP,S 0.1-50 F	C531	87-010-213-080		C-CAP,S 0.015-50 B
C296	87-012-368-080		C-CAP,S 0.1-50 F	C532	87-010-992-080		C-CAP,S 0.047-25 B
C297	87-012-368-080		C-CAP,S 0.1-50 F	C533	87-015-785-080		CHIP CAPACITOR, 0.1FZ-25Z
C298	87-012-368-080		C-CAP,S 0.1-50 F	C535	87-010-404-080		CAP, ELECT 4.7-50V
C303	87-010-179-080		CAP,CHIP S B1200P	C536	87-010-404-080		CAP, ELECT 4.7-50V
C304	87-010-179-080		CAP,CHIP S B1200P	C539	87-010-401-080		CAP, ELECT 1-50V
C305	87-010-405-080		CAP, ELECT 10-50V	C540	87-010-401-080		CAP, ELECT 1-50V
C306	87-010-405-080		CAP, ELECT 10-50V	C541	87-010-185-080		C-CAP,S 3900P-50 B
C308	87-016-299-080		CAP,E 10-100 SME	C542	87-010-185-080		C-CAP,S 3900P-50 B
C309	87-010-406-080		CAP, ELECT 22-50	C547	87-010-404-080		CAP, ELECT 4.7-50V
C310	87-010-406-080		CAP, ELECT 22-50	C548	87-010-404-080		CAP, ELECT 4.7-50V
C311	87-010-322-080		C-CAP,S 100P-50 CH	C549	87-016-081-080		C-CAP,S 0.1-16 RK
C312	87-010-322-080		C-CAP,S 100P-50 CH	C550	87-016-081-080		C-CAP,S 0.1-16 RK
C315	87-A10-897-080		CAP,E 100-25 BP SME	C554	87-010-196-080		CHIP CAPACITOR,0.1-25
C316	87-A10-897-080		CAP,E 100-25 BP SME	C555	87-010-405-080		CAP, ELECT 10-50V
C317	87-A10-516-080		C-CAP,S 100P-200 J CH	C556	87-010-248-080		CAP, ELECT 220-10V
C318	87-A10-516-080		C-CAP,S 100P-200 J CH	C557	87-010-405-080		CAP, ELECT 10-50V
C320	87-A10-946-080		C-CAP,S 220P-100 J CH	C559	87-010-183-080		C-CAP,S 2700P-50 B
C321	87-010-805-080		CAP, S 1-16	C561	87-012-140-080		CAP 470P
C322	87-010-805-080		CAP, S 1-16	C562	87-012-140-080		CAP 470P
C323	87-010-402-080		CAP, ELECT 2.2-50V	C565	87-010-404-080		CAP, ELECT 4.7-50V
C324	87-010-402-080		CAP, ELECT 2.2-50V	C566	87-010-404-080		CAP, ELECT 4.7-50V
C325	87-010-196-080		CHIP CAPACITOR,0.1-25	C601	87-010-378-080		CAP, ELECT 10-16V
C327	87-010-178-080		CHIP CAP 1000P	C602	87-010-378-080		CAP, ELECT 10-16V
C328	87-010-178-080		CHIP CAP 1000P	C603	87-012-156-080		C-CAP,S 220P-50 CH
C330	87-A10-354-080		C-CAP,S 0.047-50 K B	C604	87-012-156-080		C-CAP,S 220P-50 CH
C331	87-A10-354-080		C-CAP,S 0.047-50 K B	C605	87-010-405-080		CAP, ELECT 10-50V
C334	87-A10-918-080		CAP,E 100-16 SMG	C606	87-010-405-080		CAP, ELECT 10-50V
C335	87-A10-918-080		CAP,E 100-16 SMG	C607	87-012-140-080		CAP 470P
C385	87-010-186-080		CAP,CHIP 4700P	C608	87-012-140-080		CAP 470P
C391	87-012-368-080		C-CAP,S 0.1-50 F	C609	87-010-188-080		CAP,CHIP 6800P
C392	87-012-368-080		C-CAP,S 0.1-50 F	C610	87-010-188-080		CAP,CHIP 6800P
C393	87-012-368-080		C-CAP,S 0.1-50 F	C611	87-010-197-080		CAP, CHIP 0.01 DM
C394	87-012-368-080		C-CAP,S 0.1-50 F	C612	87-010-195-080		C-CAP,S 0.068-25 F
C395	87-010-191-080		C-CAP,S 0.015-50 F	C613	87-010-195-080		C-CAP,S 0.068-25 F
C396	87-010-191-080		C-CAP,S 0.015-50 F	C614	87-010-197-080		CAP, CHIP 0.01 DM
C397	87-012-368-080		C-CAP,S 0.1-50 F	C615	87-010-404-080		CAP, ELECT 4.7-50V

REF. NO	PART NO.	KANRI NO.	DESCRIPTION	REF. NO	PART NO.	KANRI NO.	DESCRIPTION
C145	87-012-157-080	C-CAP,S	330P-50 CH	S115	87-A90-095-080		SW,TACT EVQ11G04M
C146	87-012-157-080	C-CAP,S	330P-50 CH	S116	87-A90-095-080		SW,TACT EVQ11G04M
C147	87-012-157-080	C-CAP,S	330P-50 CH	SW101	87-A90-535-010		SW,RTRY EC16B24304
C148	87-012-157-080	C-CAP,S	330P-50 CH	SW102	87-A90-950-010		SW,RTRY EC12E12504 ENCODER
C149	87-012-157-080	C-CAP,S	330P-50 CH	X101	87-A70-075-080		VIB,CER 4.19MHZ CRHF
C150	87-012-157-080	C-CAP,S	330P-50 CH				
C153	87-012-368-080	C-CAP,S	0.1-50 F				
C154	87-012-368-080	C-CAP,S	0.1-50 F	DOLBY DIGITAL C.B			
C155	87-012-157-080	C-CAP,S	330P-50 CH	C101	87-010-196-080		CHIP CAPACITOR,0.1-25
C156	87-015-699-040	CAP,E	10-50 7L	C102	87-010-374-080		CAP, ELECT 47-10V
C157	87-012-157-080	C-CAP,S	330P-50 CH	C103	87-010-314-080		C-CAP,S 22P-50V
C158	87-012-368-080	C-CAP,S	0.1-50 F	C104	87-010-313-080		CAP, CHIP 18P
C160	87-012-157-080	C-CAP,S	330P-50 CH	C105	87-010-196-080		CHIP CAPACITOR,0.1-25
C162	87-010-182-080	C-CAP,S	2200P-50 B				
C164	87-A10-189-040	CAP,E	220-10	C106	87-010-197-080		CAP, CHIP 0.01 DM
C170	87-012-157-080	C-CAP,S	330P-50 CH	C107	87-010-196-080		CHIP CAPACITOR,0.1-25
C171	87-012-157-080	C-CAP,S	330P-50 CH	C108	87-010-196-080		CHIP CAPACITOR,0.1-25
C181	87-010-322-080	C-CAP,S	100P-50 CH	C109	87-010-196-080		CHIP CAPACITOR,0.1-25
C182	87-010-322-080	C-CAP,S	100P-50 CH	C110	87-010-196-080		CHIP CAPACITOR,0.1-25
C183	87-010-322-080	C-CAP,S	100P-50 CH	C111	87-010-196-080		CHIP CAPACITOR,0.1-25
C184	87-010-322-080	C-CAP,S	100P-50 CH	C112	87-010-404-080		CAP, ELECT 4.7-50V
C185	87-010-322-080	C-CAP,S	100P-50 CH	C113	87-010-196-080		CHIP CAPACITOR,0.1-25
C186	87-010-322-080	C-CAP,S	100P-50 CH	C114	87-010-196-080		CHIP CAPACITOR,0.1-25
C187	87-010-322-080	C-CAP,S	100P-50 CH	C115	87-010-374-080		CAP, ELECT 47-10V
C188	87-010-322-080	C-CAP,S	100P-50 CH	C116	87-012-140-080		CAP 470P
C189	87-010-322-080	C-CAP,S	100P-50 CH	C117	87-010-198-080		CAP, CHIP 0.022
C190	87-010-322-080	C-CAP,S	100P-50 CH	C118	87-010-401-080		CAP, ELECT 1-50V
C240	87-016-526-080	C-CAP,S	0.47-16 BK	C119	87-010-196-080		CHIP CAPACITOR,0.1-25
C402	87-012-156-080	C-CAP,S	220P-50 CH	C120	87-010-196-080		CHIP CAPACITOR,0.1-25
C405	87-010-182-080	C-CAP,S	2200P-50 B	C121	87-010-401-080		CAP, ELECT 1-50V
C406	87-010-182-080	C-CAP,S	2200P-50 B	C122	87-010-311-080		CAP 12P
C407	87-010-178-080	CHIP CAP	1000P	C123	87-010-311-080		CAP 12P
C411	87-010-322-080	C-CAP,S	100P-50 CH	C124	87-010-263-080		CAP, ELECT 100-10V
C412	87-010-322-080	C-CAP,S	100P-50 CH	C125	87-010-196-080		CHIP CAPACITOR,0.1-25
CN201	87-A60-053-010	CONN,17P V	9604S-17C	C126	87-010-196-080		CHIP CAPACITOR,0.1-25
CN202	87-A60-553-010	CONN,35P V	9604S-35C	C127	87-010-555-040		CAP,E 100-10 GAS
CN203	87-099-749-010	CONN,9P V	9604SC	C128	87-010-196-080		CHIP CAPACITOR,0.1-25
FL101	8Z-AR1-602-010	FL,BJ691	GK	C129	87-010-384-080		CAP, ELECT 100-25V
LED101	87-A40-317-080	LED,SLR-342VCT31	RED	C130	87-010-182-080		C-CAP,S 2200P-50 B
LED102	87-A40-496-040	LED,SLR-342MCT31	GRN	C131	87-010-263-080		CAP, ELECT 100-10V
LED103	87-A40-496-040	LED,SLR-342MCT31	GRN	C132	87-010-401-080		CAP, ELECT 1-50V
LED104	87-A40-317-080	LED,SLR-342VCT31	RED	C133	87-010-196-080		CHIP CAPACITOR,0.1-25
LED105	87-A40-496-040	LED,SLR-342MCT31	GRN	C134	87-010-196-080		CHIP CAPACITOR,0.1-25
LED106	87-A40-317-080	LED,SLR-342VCT31	RED	C135	87-010-405-080		CAP, ELECT 10-50V
LED107	87-A40-496-040	LED,SLR-342MCT31	GRN	C136	87-010-405-080		CAP, ELECT 10-50V
LED108	87-A40-317-080	LED,SLR-342VCT31	RED	C137	87-010-196-080		CHIP CAPACITOR,0.1-25
LED109	87-A40-496-040	LED,SLR-342MCT31	GRN	C138	87-010-196-080		CHIP CAPACITOR,0.1-25
LED110	87-A40-317-080	LED,SLR-342VCT31	RED	C139	87-010-314-080		C-CAP,S 22P-50V
LED111	87-A40-496-040	LED,SLR-342MCT31	GRN	C140	87-010-552-040		CAP,E 22-16 GAS
LED112	87-A40-317-080	LED,SLR-342VCT31	RED	C141	87-010-196-080		CHIP CAPACITOR,0.1-25
LED113	87-A40-496-040	LED,SLR-342MCT31	GRN	C142	87-010-182-080		C-CAP,S 2200P-50 B
LED114	87-A40-317-080	LED,SLR-342VCT31	RED	C143	87-010-196-080		CHIP CAPACITOR,0.1-25
LED115	87-A40-496-040	LED,SLR-342MCT31	GRN	C144	87-010-312-080		C-CAP,S 15P-50 CH
LED116	87-A40-317-080	LED,SLR-342VCT31	RED	C145	87-012-154-080		C-CAP,S 150P-50 CH
LED117	87-A40-496-040	LED,SLR-342MCT31	GRN	C146	87-012-154-080		C-CAP,S 150P-50 CH
LED119	87-A40-317-080	LED,SLR-342VCT31	RED	C147	87-010-405-080		CAP, ELECT 10-50V
S101	87-A90-095-080	SW,TACT	EVQ11G04M	C148	87-010-196-080		CHIP CAPACITOR,0.1-25
S102	87-A90-095-080	SW,TACT	EVQ11G04M	C149	87-010-196-080		CHIP CAPACITOR,0.1-25
S103	87-A90-095-080	SW,TACT	EVQ11G04M	C150	87-010-405-080		CAP, ELECT 10-50V
S104	87-A90-095-080	SW,TACT	EVQ11G04M	C151	87-010-405-080		CAP, ELECT 10-50V
S105	87-A90-095-080	SW,TACT	EVQ11G04M	C152	87-010-405-080		CAP, ELECT 10-50V
S106	87-A90-095-080	SW,TACT	EVQ11G04M	C153	87-010-178-080		CHIP CAP 1000P
S107	87-A90-095-080	SW,TACT	EVQ11G04M	C154	87-010-178-080		CHIP CAP 1000P
S108	87-A90-095-080	SW,TACT	EVQ11G04M	C155	87-A10-369-080		C-CAP,S 0.47-16 K B
S109	87-A90-095-080	SW,TACT	EVQ11G04M	C157	87-012-154-080		C-CAP,S 150P-50 CH
S110	87-A90-095-080	SW,TACT	EVQ11G04M	C158	87-012-154-080		C-CAP,S 150P-50 CH
S111	87-A90-095-080	SW,TACT	EVQ11G04M	C159	87-010-178-080		CHIP CAP 1000P
S112	87-A90-095-080	SW,TACT	EVQ11G04M	C160	87-010-178-080		CHIP CAP 1000P
S113	87-A90-095-080	SW,TACT	EVQ11G04M	C161	87-010-405-080		CAP, ELECT 10-50V
S114	87-A90-095-080	SW,TACT	EVQ11G04M	C162	87-010-405-080		CAP, ELECT 10-50V
				C163	87-010-196-080		CHIP CAPACITOR,0.1-25

REF. NO	PART NO.	KANRI NO.	DESCRIPTION	REF. NO	PART NO.	KANRI NO.	DESCRIPTION
C755	87-012-286-080		CAP, U 0.01-25	CN601	87-099-028-010		CONN,11P 6216 H
C756	87-012-286-080		CAP, U 0.01-25	CN602	87-099-211-010		CONN,4P 6216V
C757	87-012-188-080		C-CAP,U 47P-50 CH	FFE801	A8-6ZA-191-130		6ZA-1 FEENM
C758	87-012-167-080		C-CAP,U 5P-50 CH	J802	87-033-241-010		TERMINAL,ANT AJ-2039
C761	87-010-196-080		CHIP CAPACITOR,0.1-25	L771	87-A50-266-010		COIL,FM DET-2N(TOK)
C762	87-012-286-080		CAP, U 0.01-25	L772	87-A90-733-010		FLTR,PCFAZH-450 (TOK)
C763	87-010-829-080		CAP, U 0.047-16	L781	87-005-847-080		COIL,2.2UH(CECS)
C765	87-012-286-080		CAP, U 0.01-25	L791	87-A50-027-010		COIL,1 POLE MPX(TOK)
C766	87-012-286-080		CAP, U 0.01-25	L792	87-A50-027-010		COIL,1 POLE MPX(TOK)
C768	87-012-286-080		CAP, U 0.01-25	L832	87-005-847-080		COIL,2.2UH(CECS)
C769	87-010-260-080		CAP, ELECT 47-25V	L851	87-005-847-080		COIL,2.2UH(CECS)
C770	87-010-829-080		CAP, U 0.047-16	L941	87-A50-020-010		COIL,ANT LW(COI)
C771	87-010-383-080		CAP, ELECT 33-25V	L942	87-A50-019-010		COIL,OSC LW(COI)
C772	87-010-829-080		CAP, U 0.047-16	L981	87-NF4-651-110		COIL,AM PACK2N(TOM)
C773	87-015-785-080		CHIP CAPACITOR, 0.1FZ-25Z	TC942	87-011-164-010		CAPACITOR,TRIMMER 30P
C774	87-010-263-080		CAP, ELECT 100-10V	X721	87-A70-061-010		VIB,XTAL 4.500MHZ CSA-309
C775	87-010-404-080		CAP, ELECT 4.7-50V	X851	87-A70-091-010		VIB,XTAL 4.332MHZ CSA-309
C776	87-012-286-080		CAP, U 0.01-25				
C777	87-010-400-080		CAP, ELECT 0.47-50V				
C778	87-010-401-080		CAP, ELECT 1-50V	GEQ C.B			
C779	87-010-401-080		CAP, ELECT 1-50V	C758	87-010-404-080		CAP, ELECT 4.7-50V
C780	87-010-196-080		CHIP CAPACITOR,0.1-25	C759	87-012-368-080		C-CAP,S 0.1-50 F
C781	87-010-405-080		CAP, ELECT 10-50V	C761	87-010-198-080		CAP, CHIP 0.022
C782	87-010-405-080		CAP, ELECT 10-50V	C762	87-010-197-080		CAP, CHIP 0.01 DM
C783	87-012-286-080		CAP, U 0.01-25	C764	87-010-185-080		C-CAP,S 3900P-50 B
C784	87-012-286-080		CAP, U 0.01-25	C765	87-010-194-080		CAP, CHIP 0.047
C785	87-010-805-080		CAP, S 1-16	C766	87-010-181-080		CAP,CHIP S 1800P
C786	87-010-805-080		CAP, S 1-16	C767	87-010-198-080		CAP, CHIP 0.022
C787	87-012-282-080		CAP, U 4700P-50	C768	87-010-994-080		C-CAP,S 680P-50 CH
C788	87-012-282-080		CAP, U 4700P-50	C769	87-010-188-080		CAP,CHIP 6800P
C789	87-012-275-080		C-CAP,U 1200P-50 B	C770	87-012-145-080		CAP, CHIP S 270P CH
C790	87-012-275-080		C-CAP,U 1200P-50 B	C771	87-010-183-080		C-CAP,S 2700P-50 B
C791	87-010-405-080		CAP, ELECT 10-50V	C772	87-012-145-080		CAP, CHIP S 270P CH
C793	87-012-276-080		CAP, CHIP SS 1500 PBK	C773	87-010-188-080		CAP,CHIP 6800P
C794	87-010-406-080		CAP, ELECT 22-50	C774	87-010-994-080		C-CAP,S 680P-50 CH
C795	87-010-829-080		CAP, U 0.047-16	C775	87-010-198-080		CAP, CHIP 0.022
C796	87-010-403-080		CAP, ELECT 3.3-50V	C776	87-010-181-080		CAP,CHIP S 1800P
C797	87-012-276-080		CAP, CHIP SS 1500 PBK	C777	87-010-194-080		CAP, CHIP 0.047
C798	87-012-276-080		CAP, CHIP SS 1500 PBK	C778	87-010-185-080		C-CAP,S 3900P-50 B
C799	87-010-829-080		CAP, U 0.047-16	C780	87-010-197-080		CAP, CHIP 0.01 DM
C812	87-012-286-080		CAP, U 0.01-25	C782	87-010-183-080		C-CAP,S 2700P-50 B
C814	87-012-286-080		CAP, U 0.01-25	C783	87-010-198-080		CAP, CHIP 0.022
C818	87-010-197-080		CAP, CHIP 0.01 DM	C786	87-010-402-080		CAP, ELECT 2.2-50V
C820	87-010-260-080		CAP, ELECT 47-25V	C787	87-010-402-080		CAP, ELECT 2.2-50V
C821	87-012-286-080		CAP, U 0.01-25	C788	87-010-260-080		CAP, ELECT 47-25V
C822	87-012-286-080		CAP, U 0.01-25	C789	87-010-260-080		CAP, ELECT 47-25V
C823	87-012-286-080		CAP, U 0.01-25	C790	87-010-260-080		CAP, ELECT 47-25V
C828	87-010-196-080		CHIP CAPACITOR,0.1-25	C791	87-010-405-080		CAP, ELECT 10-50V
C829	87-010-196-080		CHIP CAPACITOR,0.1-25	C792	87-010-405-080		CAP, ELECT 10-50V
C859	87-012-286-080		CAP, U 0.01-25	C793	87-012-368-080		C-CAP,S 0.1-50 F
C861	87-012-199-080		CAP 220P	C794	87-012-368-080		C-CAP,S 0.1-50 F
C862	87-012-199-080		CAP 220P	C797	87-010-322-080		C-CAP,S 100P-50 CH
C863	87-012-270-080		CAP, U 470P-50	C798	87-010-322-080		C-CAP,S 100P-50 CH
C864	87-010-405-080		CAP, ELECT 10-50V	C799	87-010-322-080		C-CAP,S 100P-50 CH
C865	87-010-196-080		CHIP CAPACITOR,0.1-25	CN701	87-099-557-010		CONN,11P TUC-P11X-B1
C866	87-010-405-080		CAP, ELECT 10-50V				
C867	87-012-286-080		CAP, U 0.01-25	VIDEO C.B			
C868	87-012-184-080		C-CAP,U 33P-50 CH				
C869	87-012-180-080		C-CAP,U 22P-50 CH	C101	87-018-131-080		CAP, CER 1000P-50V
C940	87-012-286-080		CAP, U 0.01-25	C102	87-010-186-080		CAP,CHIP 4700P
C942	87-012-172-080		CAPACITOR CHIP U 10P CH	C501	87-018-209-080		CAP, CER 0.1-50V
C947	87-012-286-080		CAP, U 0.01-25	C502	87-018-209-080		CAP, CER 0.1-50V
C949	87-A10-039-080		C-CAP,U 470P-50 J CH	C503	87-010-188-080		CAP,CHIP 6800P
C952	87-012-286-080		CAP, U 0.01-25	C504	87-010-188-080		CAP,CHIP 6800P
C958	87-012-286-080		CAP, U 0.01-25	C507	87-018-209-080		CAP, CER 0.1-50V
C959	87-010-196-080		CHIP CAPACITOR,0.1-25	C651	87-010-178-080		CHIP CAP 1000P
C960	87-010-196-080		CHIP CAPACITOR,0.1-25	C652	87-010-178-080		CHIP CAP 1000P
C962	87-010-401-080		CAP, ELECT 1-50V	CN401	87-099-758-010		CONN,17P H 9604
CF801	87-008-423-010		CERAMIC FILTER, SFE10.7	CN504	87-099-572-010		CONN,15P TUC-P15P-B1
CF802	82-785-747-010		CF MS2 GHY R	CN505	87-099-572-010		CONN,15P TUC-P15P-B1

REF. NO	PART NO.	KANRI NO.	DESCRIPTION
FB501	87-008-372-080		FILTER, EMI BL OIRNI
FB602	87-008-372-080		FILTER, EMI BL OIRNI
J501	87-A60-606-010		JACK, PIN 3P R/W/Y W/O SW H
J603	87-A60-550-010		JACK, DIA6.3 BLK ST W/SW KM
LED401	87-A40-317-080		LED, SLR-342VCT31 RED
S401	87-A90-095-080		SW, TACT EVQ11G04M
S402	87-A90-095-080		SW, TACT EVQ11G04M
S403	87-A90-095-080		SW, TACT EVQ11G04M
SW401	87-A91-373-010		SW, RTRY EC16B1220408

PT C.B

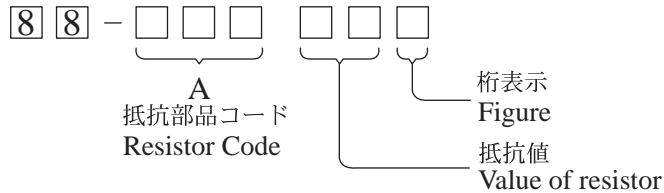
△	87-A90-160-080	FUSE CLAMP, FC 51F
C1	87-010-387-010	CAP, ELECT 25-470SME
C2	87-010-403-080	CAP, ELECT 3.3-50V
C3	87-018-209-080	CAP, CER 0.1-50V
C4	87-018-209-080	CAP, CER 0.1-50V
C5	87-018-209-080	CAP, CER 0.1-50V
C7	87-A10-922-090	CAP, CER 0.01-250 M F KH
C141	87-018-209-080	CAP, CER 0.1-50V
CN101	88-805-042-690	CONN ASSY, 4P
CN103	87-A60-851-010	CONN, 9P V VH
△PR105	87-A90-195-080	PROTECTOR 7A 125V 49
△PR106	87-A90-195-080	PROTECTOR 7A 125V 49
△PR115	87-A90-195-080	PROTECTOR 7A 125V 49
△PR116	87-A90-195-080	PROTECTOR 7A 125V 49
△PT1	8Z-AR1-611-010	PT, ZAR-1(EZ)
△PT2	8Z-NF8-662-010	PT, SUB ZNF-8(E)

- Regarding connectors, they are not stocked as they are not the initial order items. The connectors are available after they are supplied from connector manufacturers upon the order is received.

○チップ抵抗部品コード/CHIP RESISTOR PART CODE

チップ抵抗部品コードの成り立ち

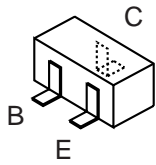
Chip Resistor Part Coding



チップ抵抗
Chip resistor

容量 Wattage	種類 Type	許容誤差 Tolerance	記号 Symbol	寸法/Dimensions (mm)			抵抗コード : A Resistor Code : A	
				外形/Form	L	W		t
1/16W	1005	± 5%	CJ		1.0	0.5	0.35	104
1/16W	1608	± 5%	CJ		1.6	0.8	0.45	108
1/10W	2125	± 5%	CJ		2	1.25	0.45	118
1/8W	3216	± 5%	CJ		3.2	1.6	0.55	128

TRANSISTOR ILLUSTRATION



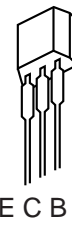
2SA1037	DTA144WK
2SA1235	DTC124EK
2SC2714	RT1N141C
2SC3052	RT1N144C
2SD1306	RT1P141C
CMBT5551	RT1P144C



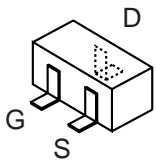
2SA1296
CC5551
DTC114ES
KTA1266GR
KTC3198GR



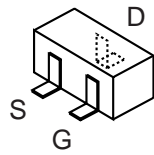
2SB1370
2SB1375
KTC3199GR



2SC4115

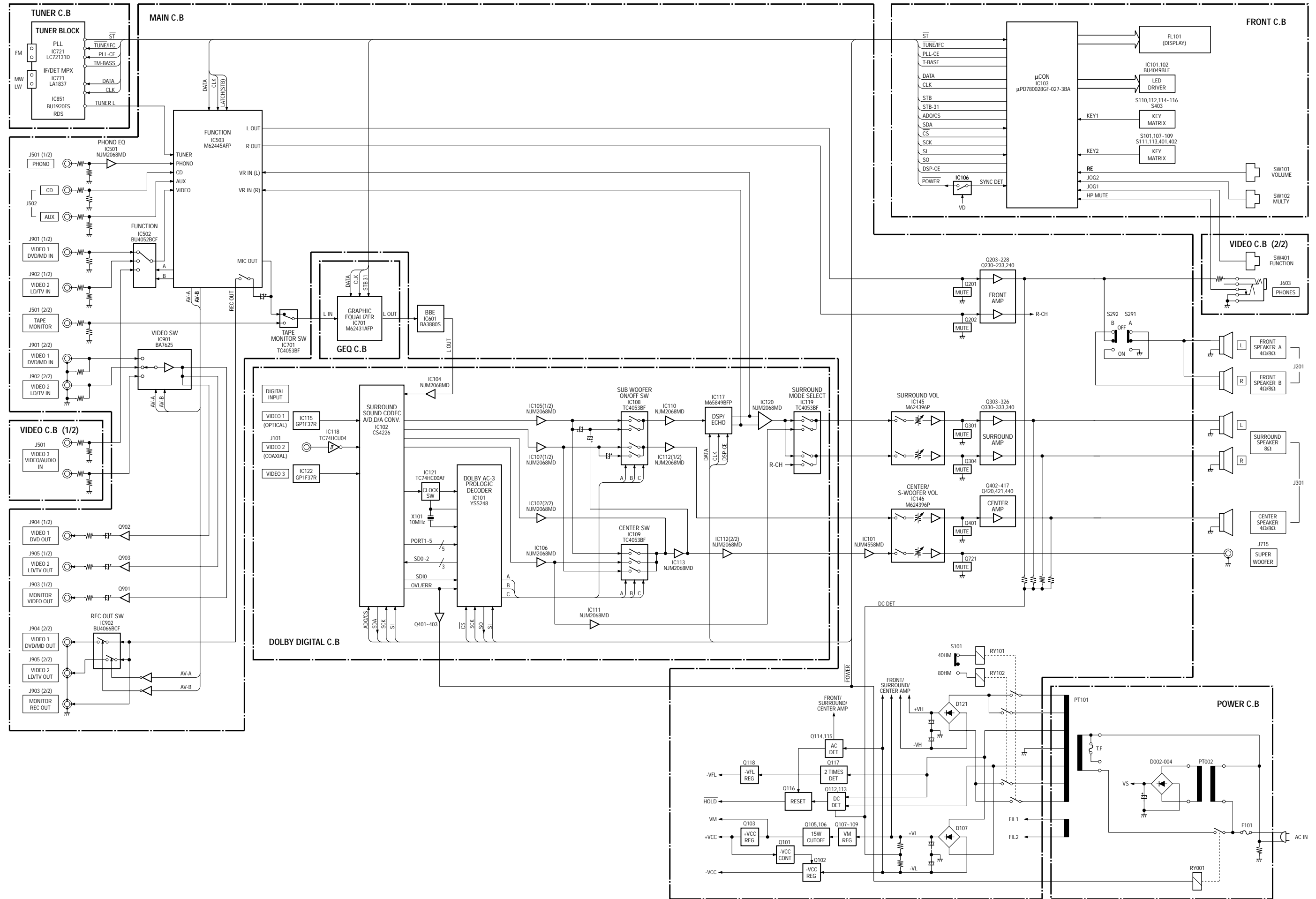


2SK2158
2SK2937

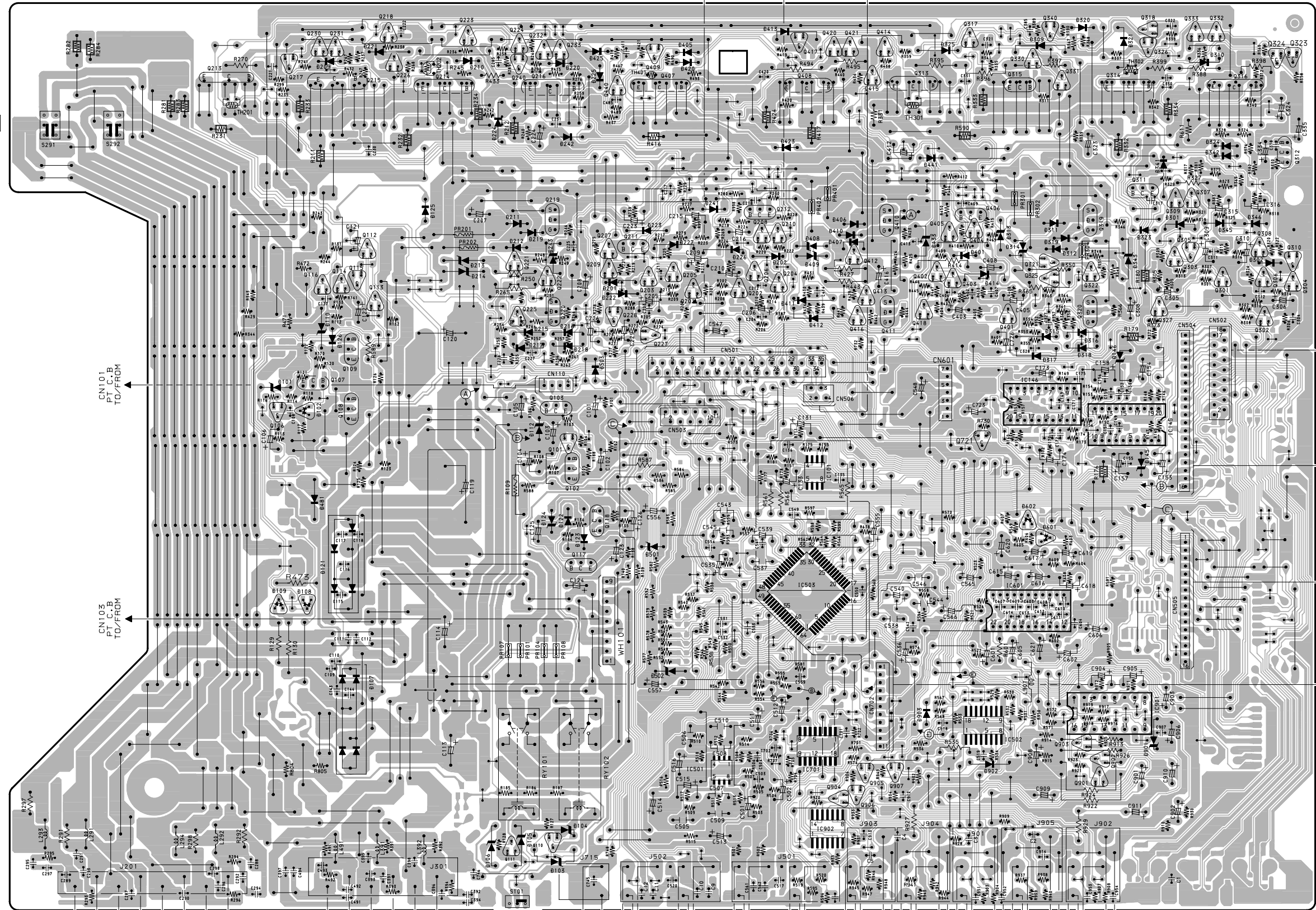
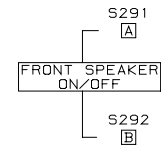


2SK360E

BLOCK DIAGRAM



MAIN C. B



TO/FROM TUNER C.B CN601
TO/FROM FRONT C.B CN202
TO/FROM TUNER C.B CN602

CN101 PT C.B TO/FROM

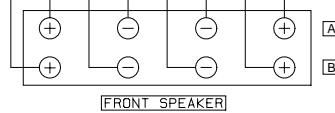
CN103 PT C.B TO/FROM

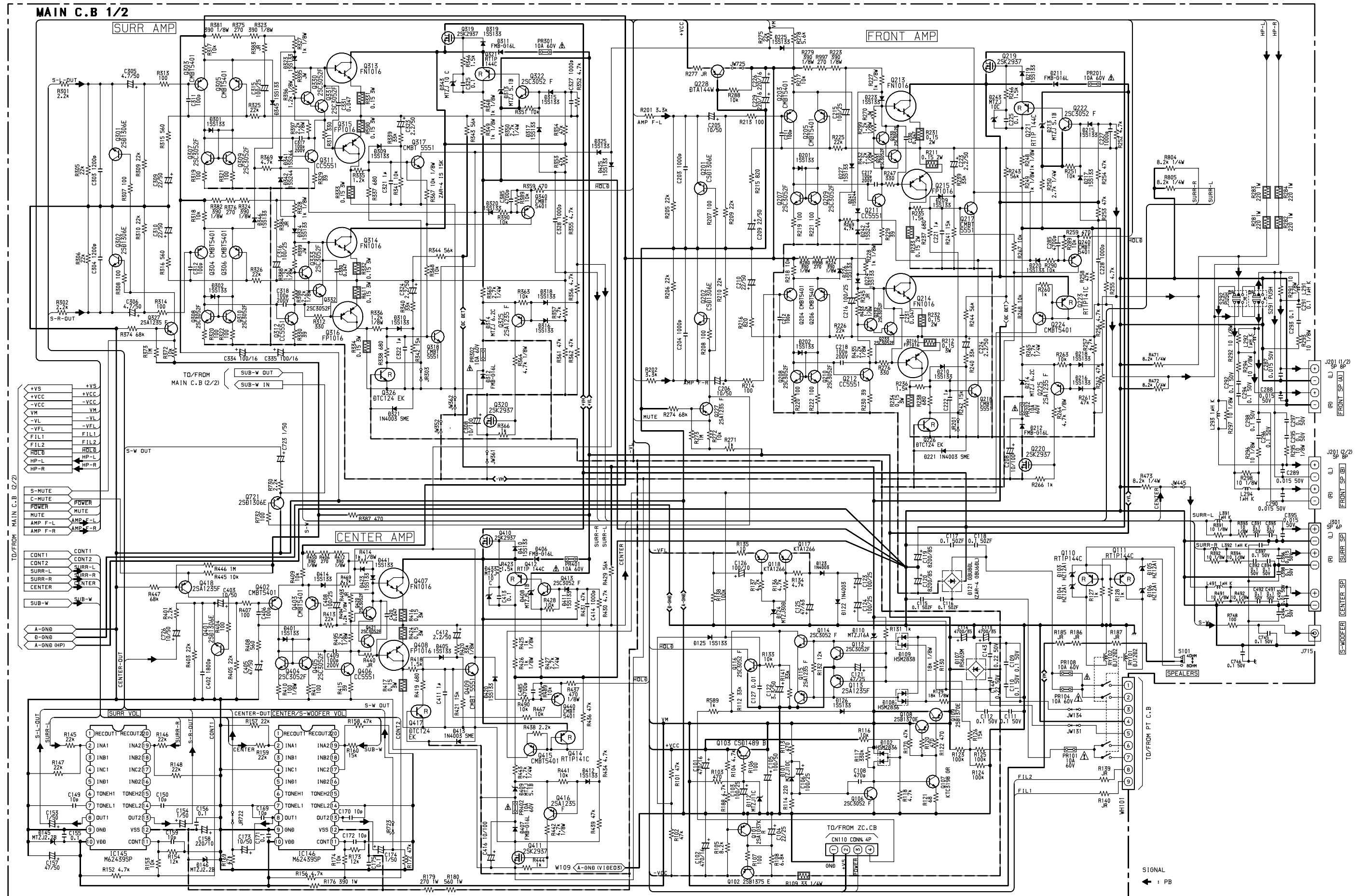
CN203 FRONT C.B TO/FROM

CN101 DIGITAL TO/FROM

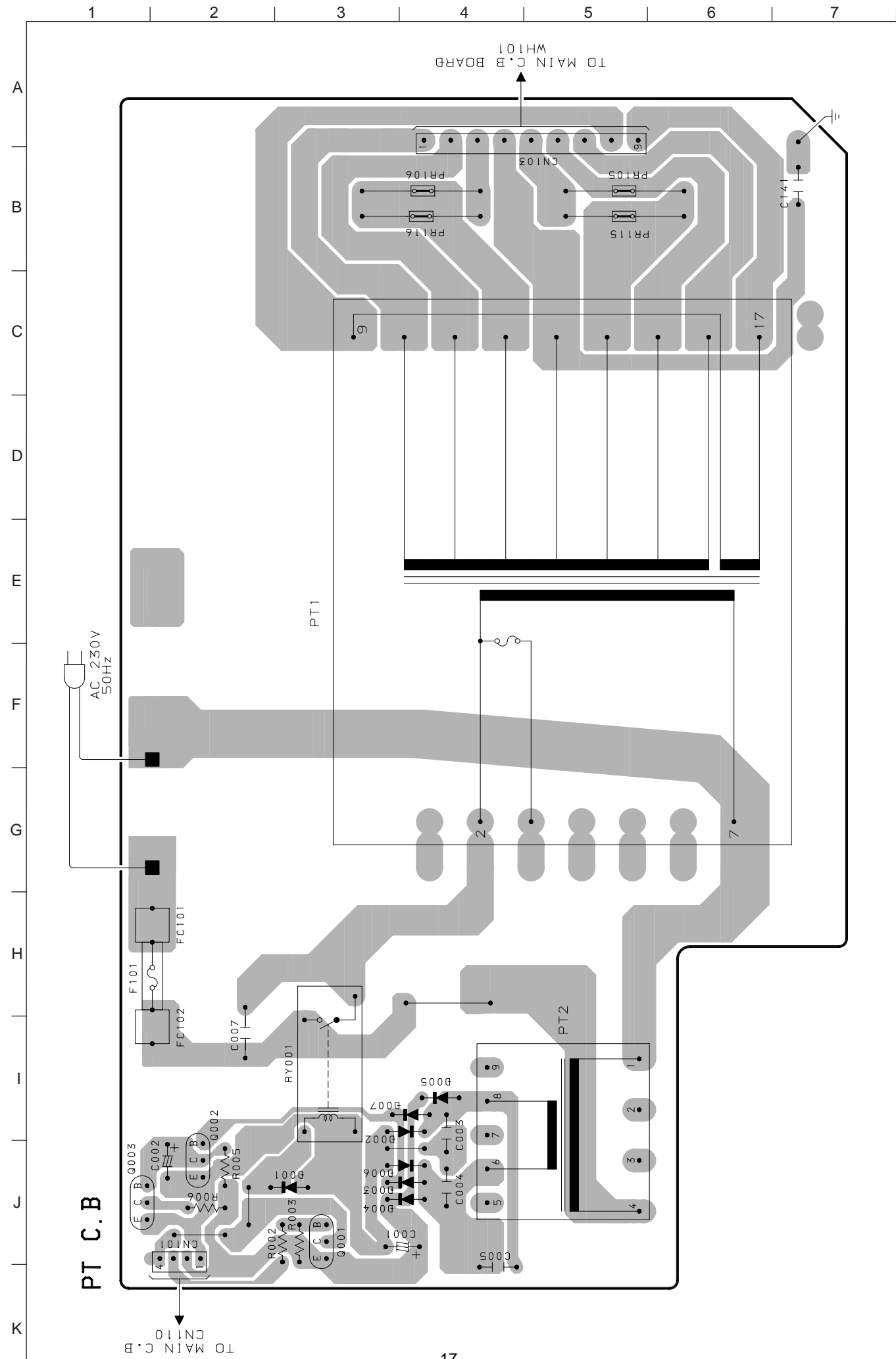
CN102 DOLBY DIGITAL TO/FROM

CN701 GEO C.B TO/FROM

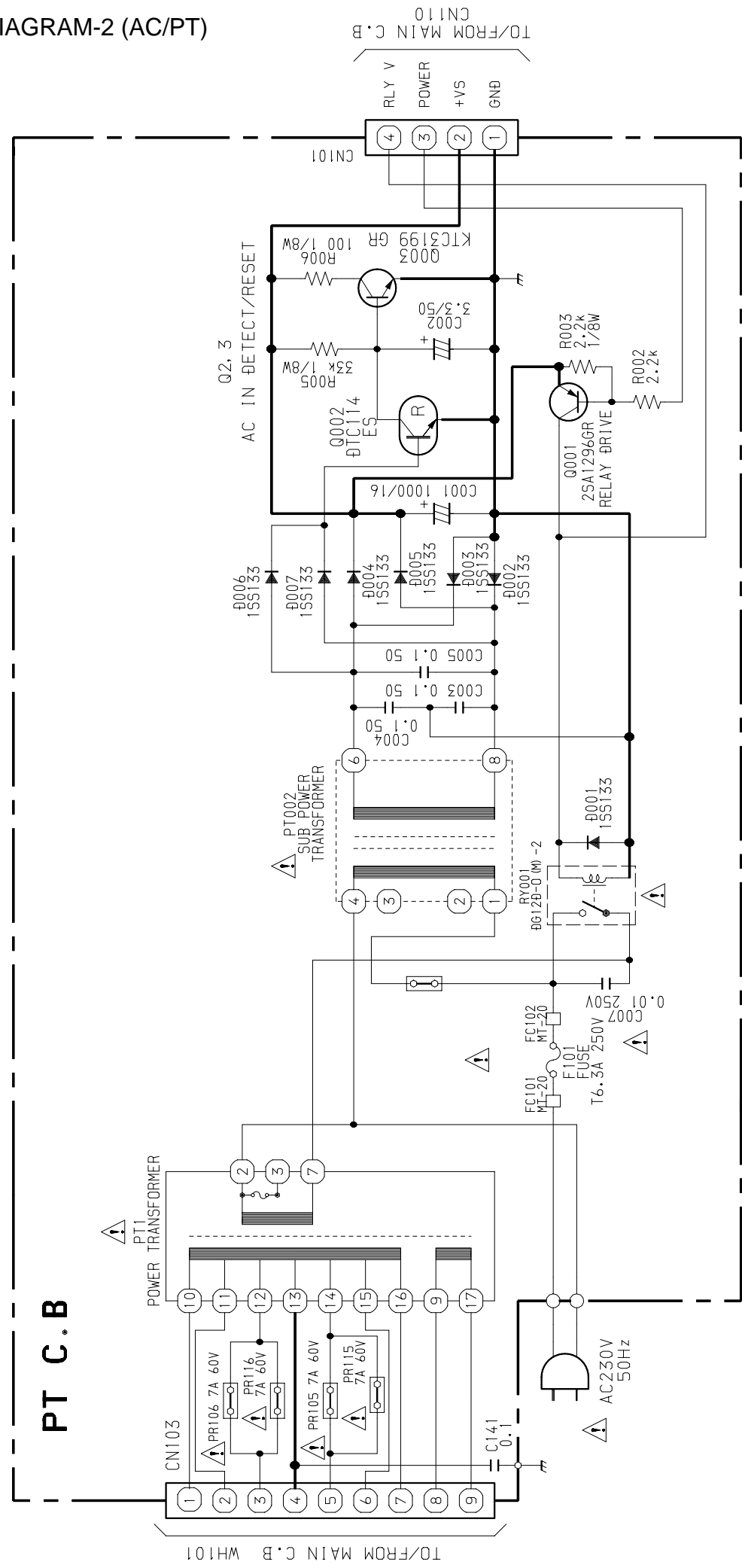




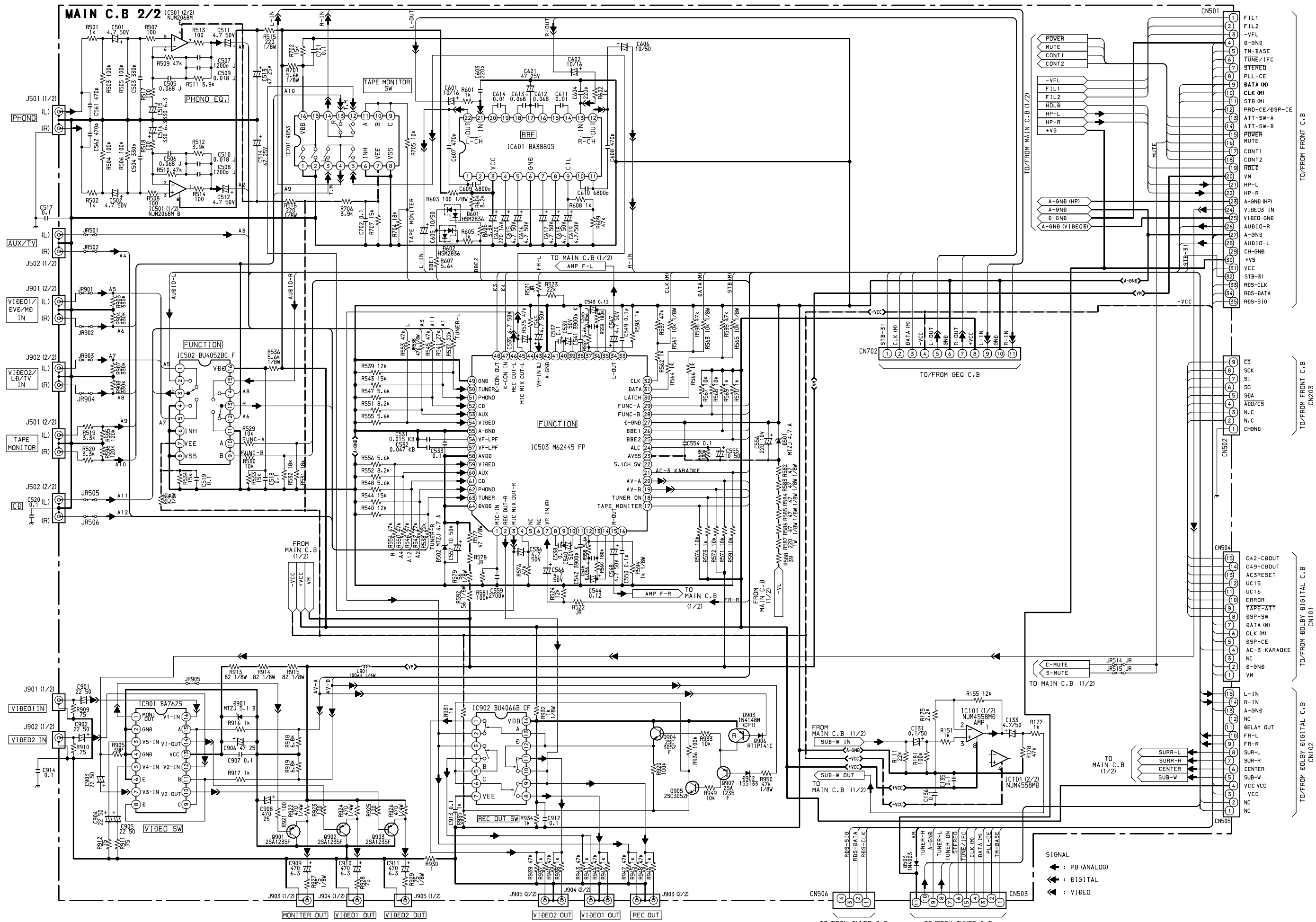
WIRING-2 (AC/PT)



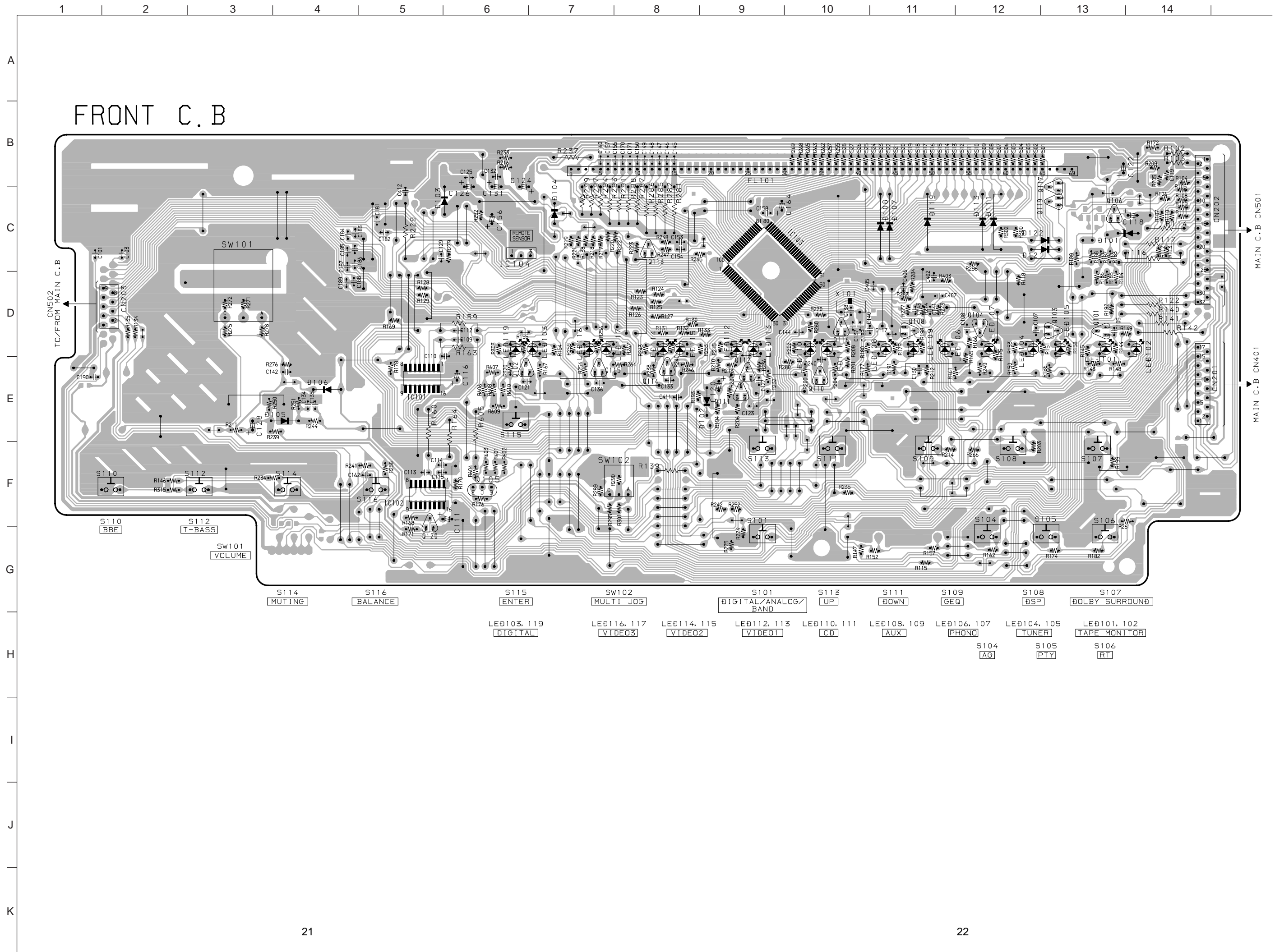
SCHEMATIC DIAGRAM-2 (AC/PT)



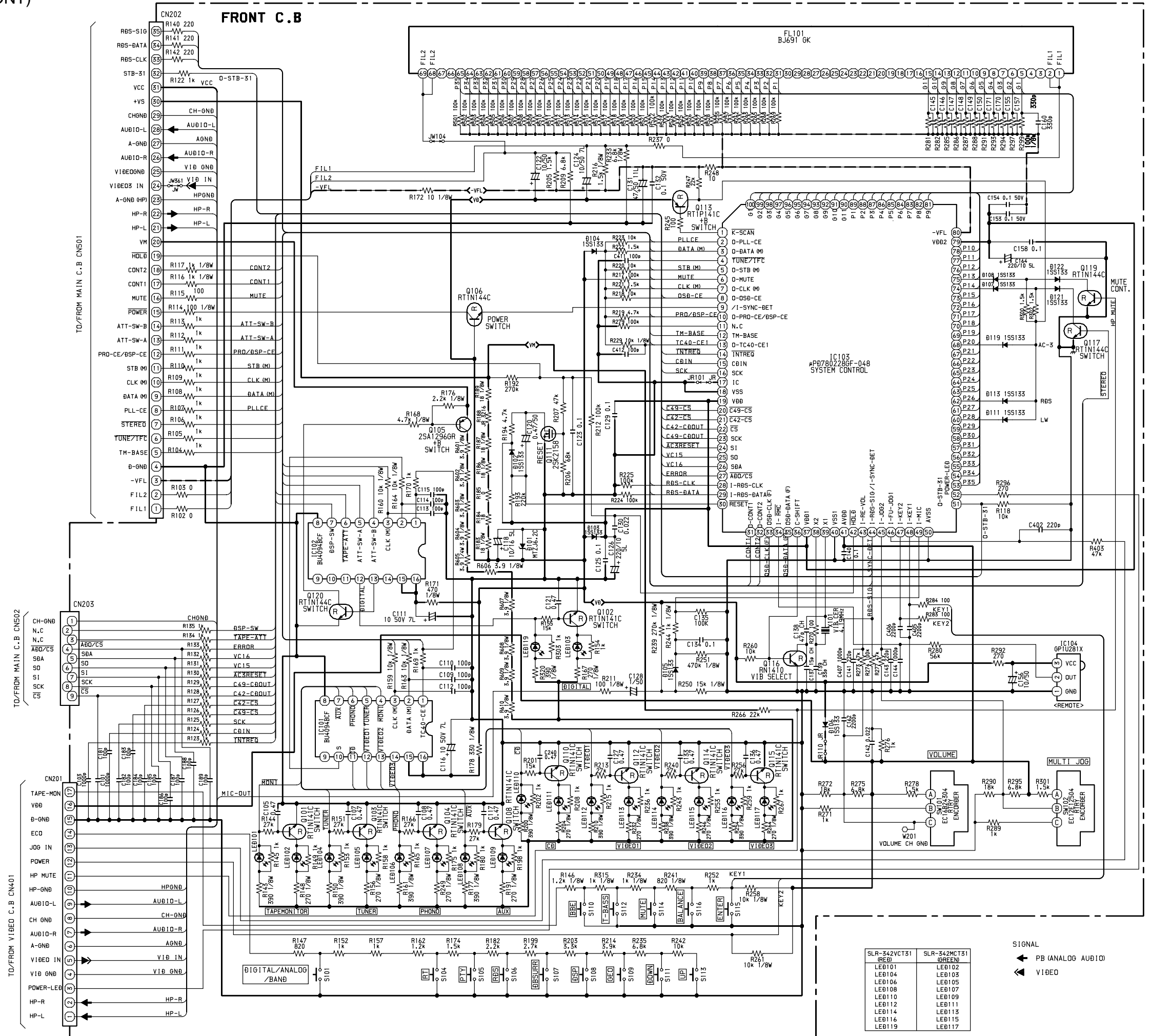
SCHEMATIC DIAGRAM-3 (MAIN 2/2)

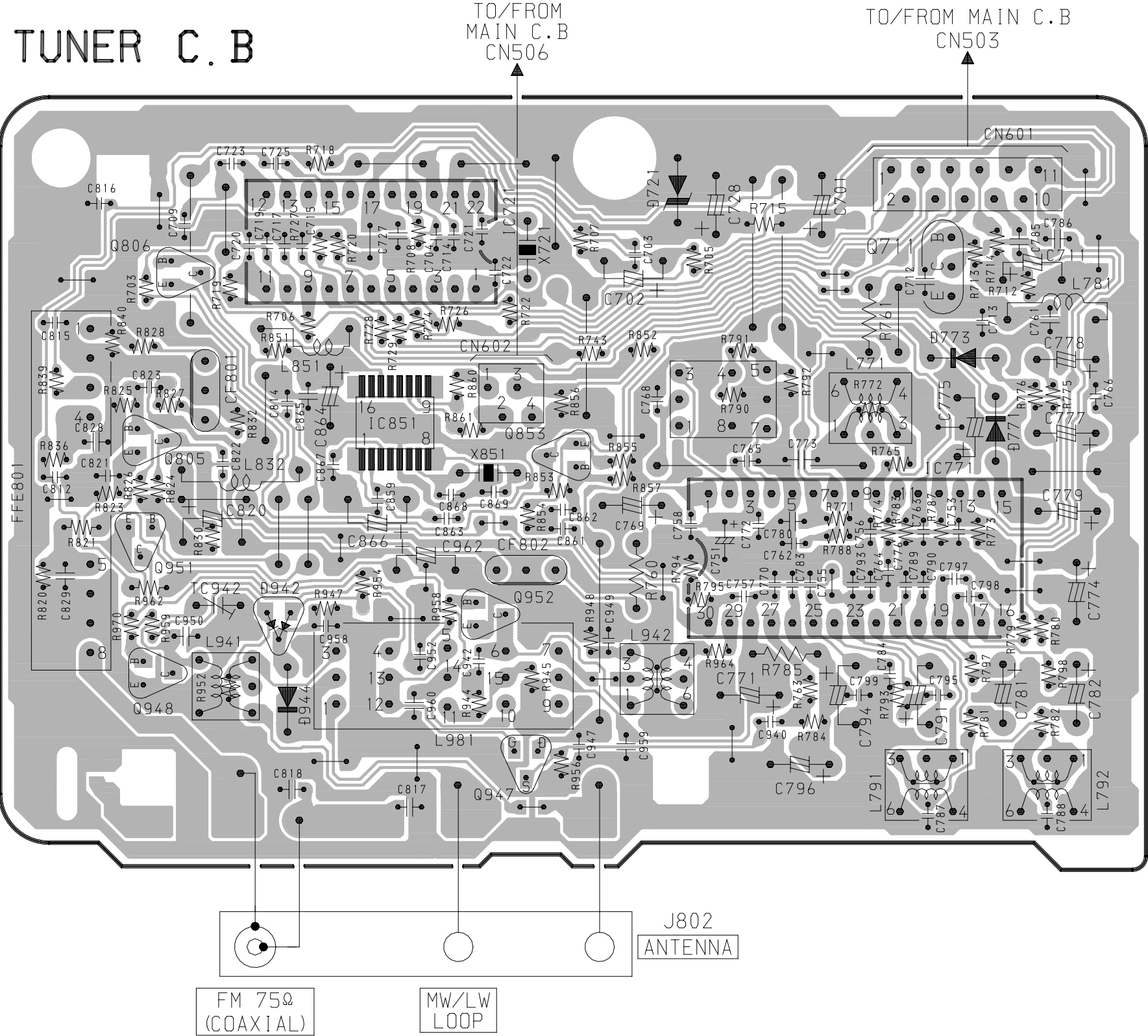


WIRING-3 (FRONT)

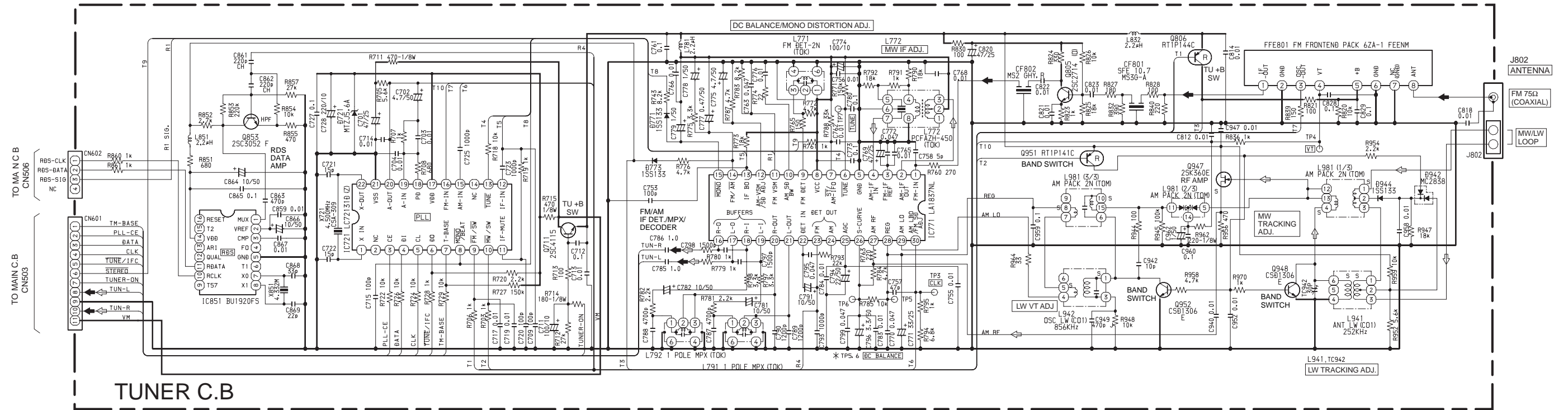


SCHEMATIC DIAGRAM-4 (FRONT)



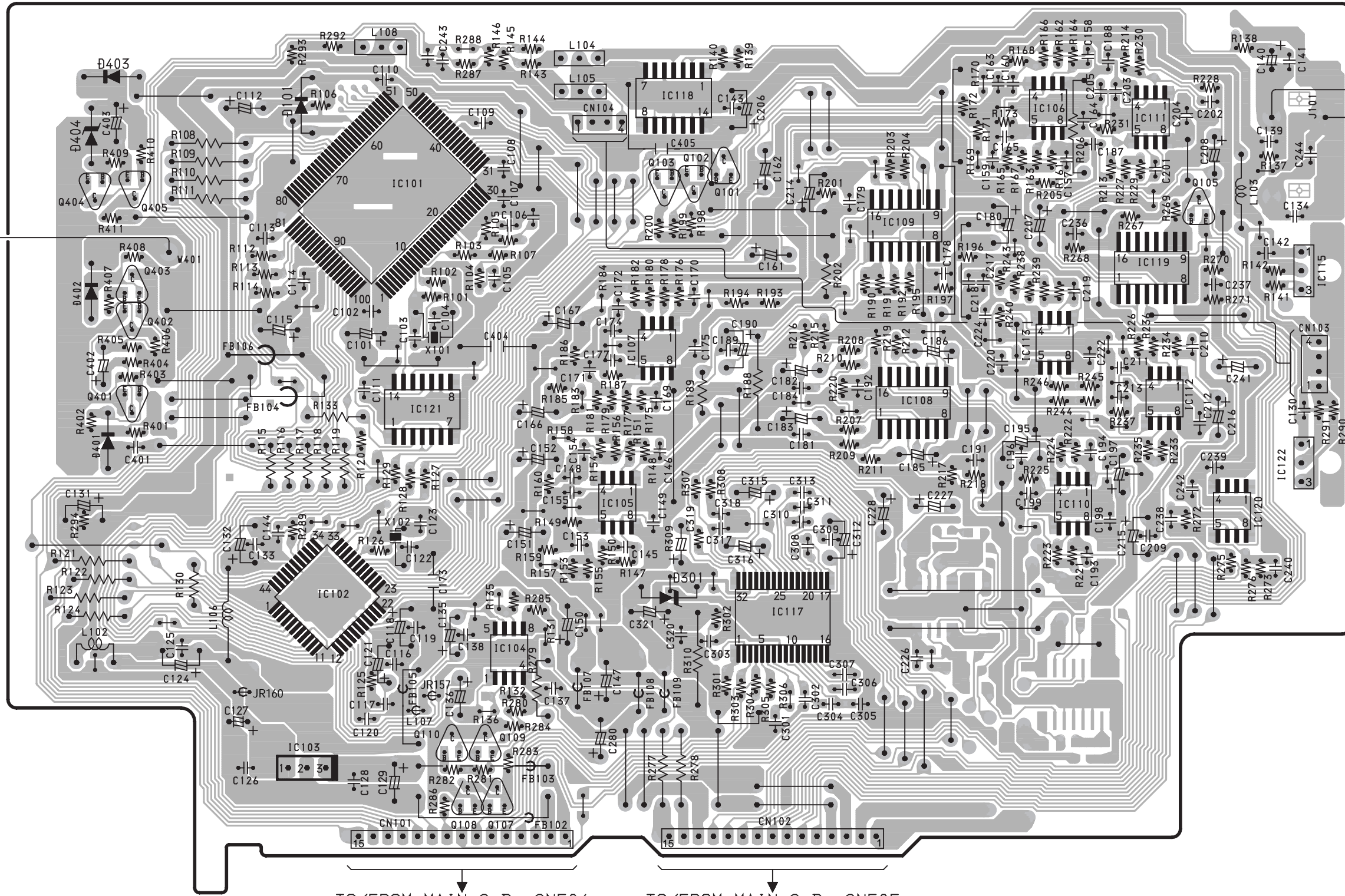


SCHEMATIC DIAGRAM-5 (TUNER)



DOLBY DIGITAL C.B

TO/FROM MAIN C.B



J101
COAXIAL
(VIDEO 2)

IC115
OPTICAL
(VIDEO 1)

DIGITAL IN
(PCM/DOLBY
DIGITAL)

IC122
OPTICAL
(VIDEO 3)

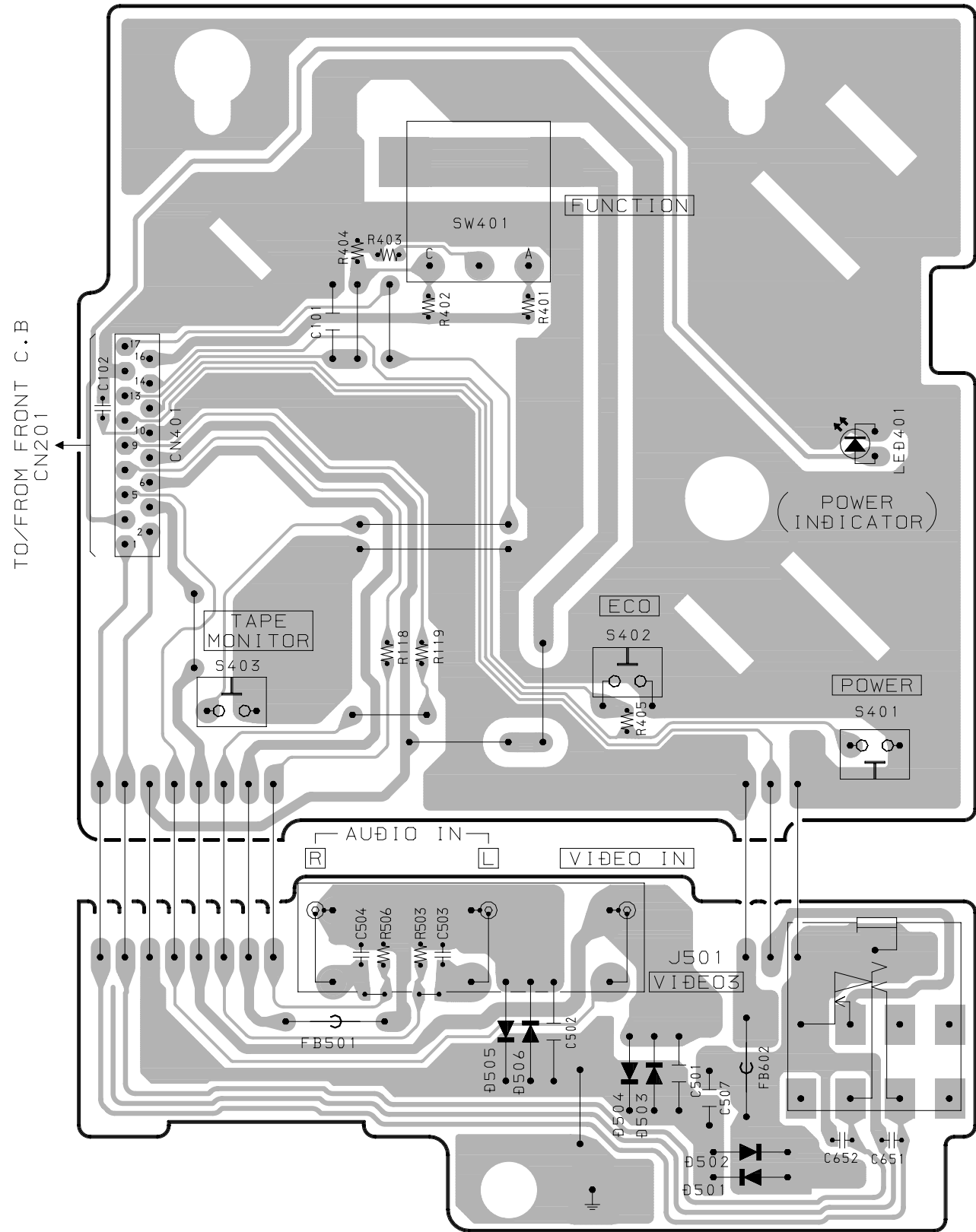
TO/FROM MAIN C.B CN504

TO/FROM MAIN C.B CN505

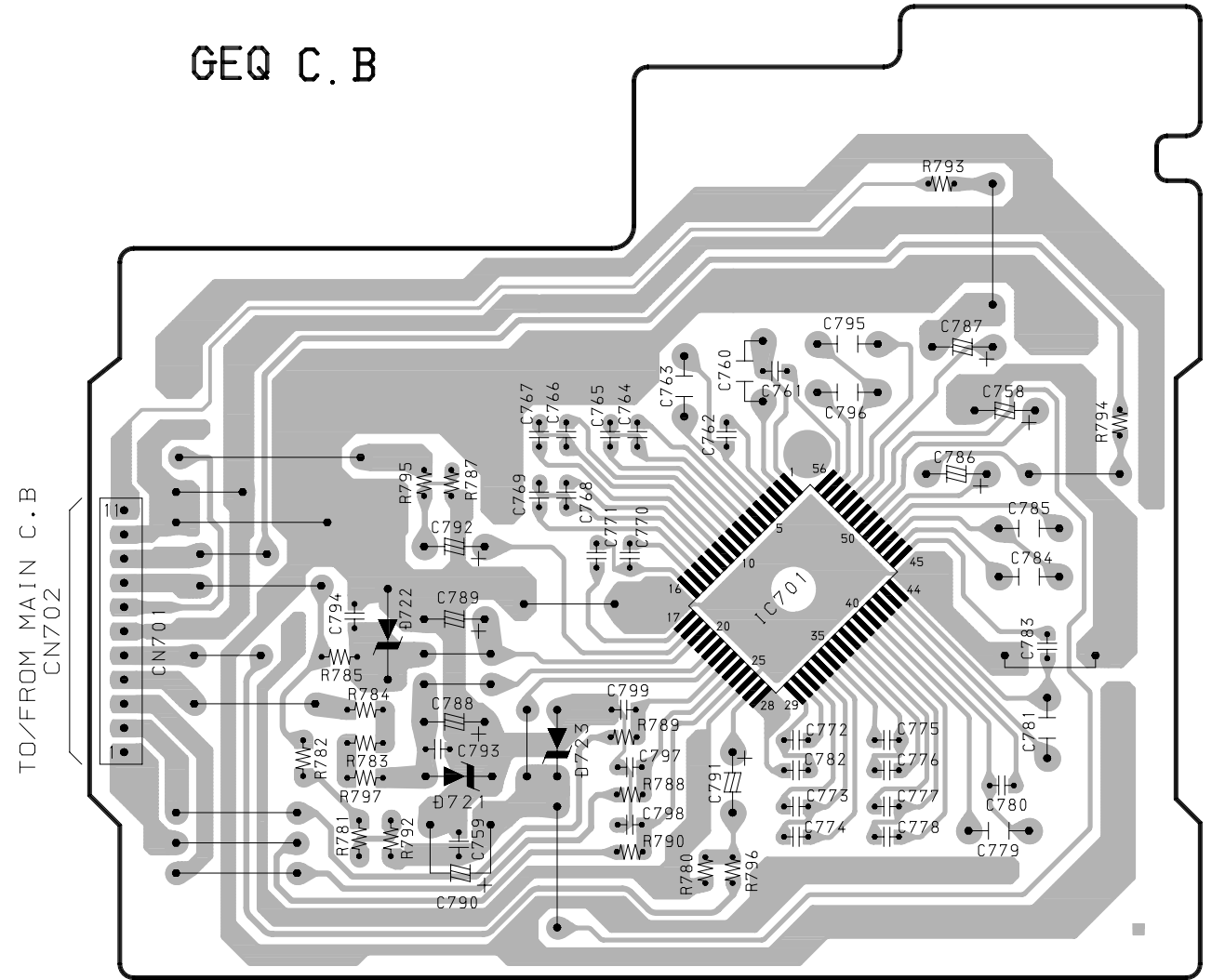
1 2 3 4 5 6 7 8 9 10 11 12 13 14

A
B
C
D
E
F
G
H
I
J
K

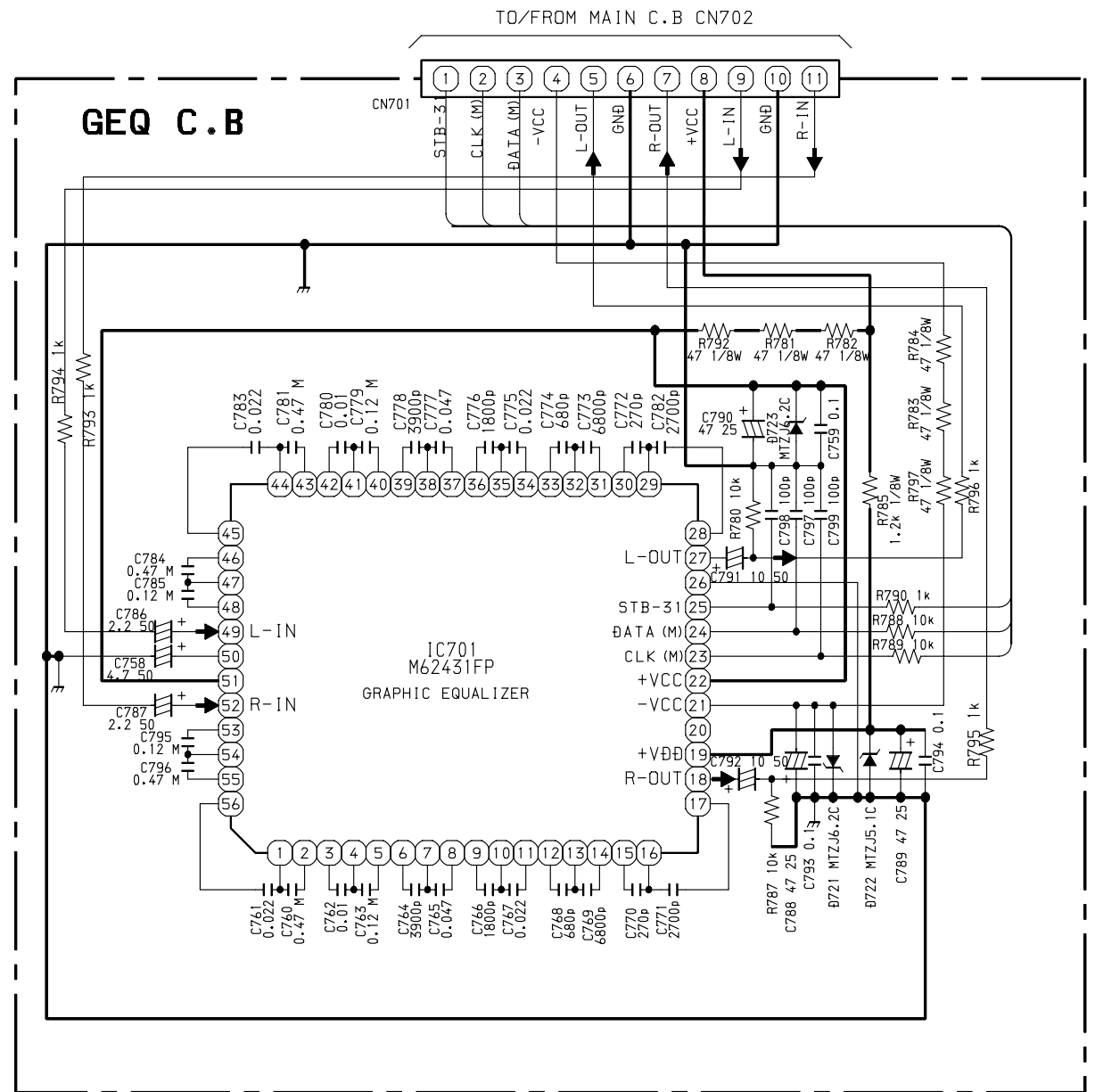
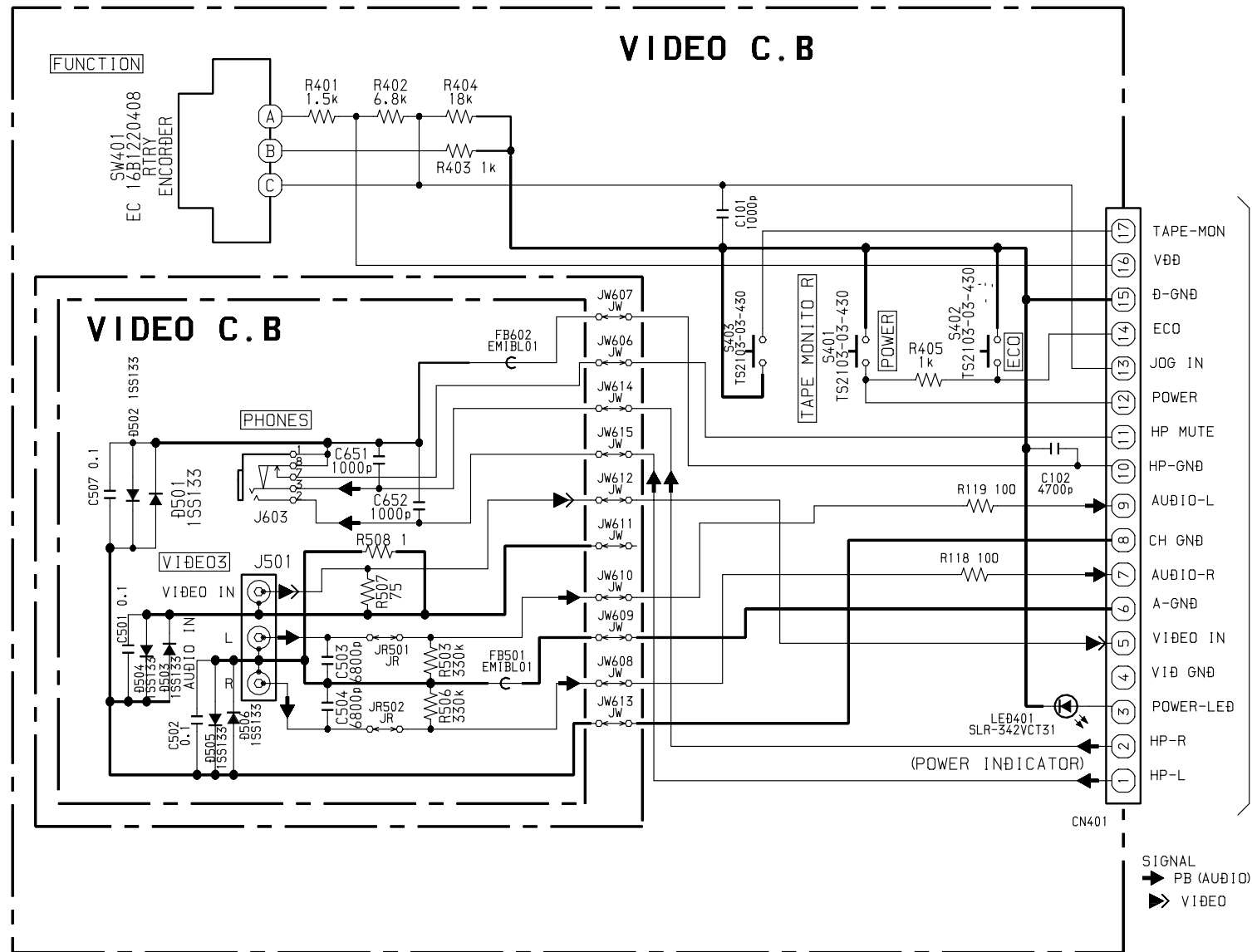
VIDEO C. B



GEQ C. B

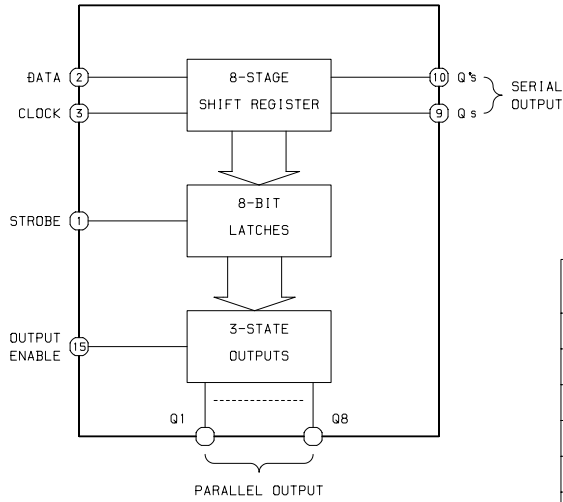


J603
PHONES



IC BLOCK DIAGRAM

IC, BU4094BCF

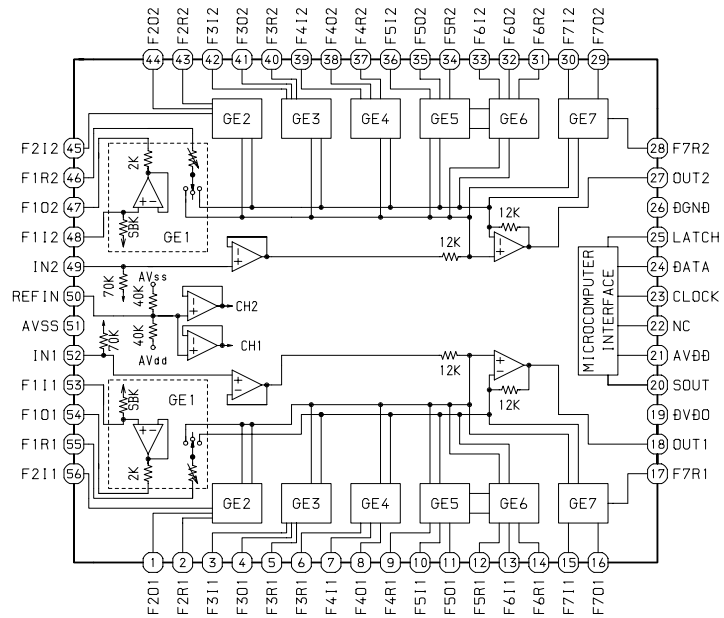


TRUTH TABLE

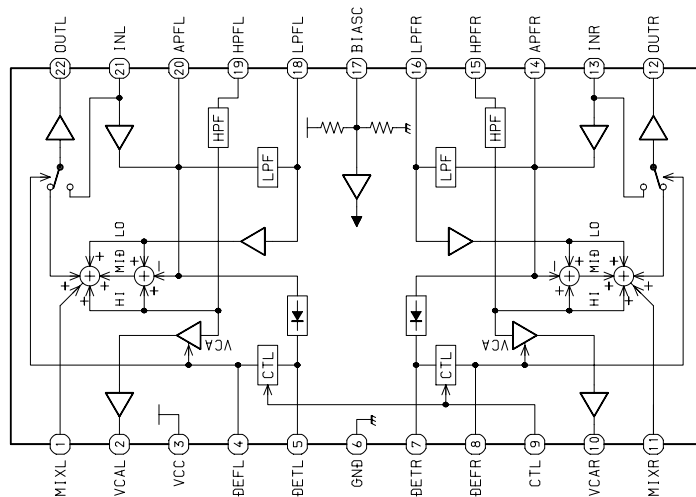
CLOCK	OUTPUT ENABLE	STROBE	DATA	PARALLEL OUTPUTS		SERIAL OUTPUTS	
				Q1	Qn	Qs	Q's
↑	L	X	X	Z	Z	Q7	NO Chg.
↓	L	X	X	Z	Z	No Chg.	Qs
↑	H	L	X	No Chg.	No Chg.	Q7	No Chg.
↑	H	H	L	L	Qn-1	Q7	No Chg.
↑	H	H	H	H	Qn-1	Q7	No Chg.
↓	H	X	X	No Chg.	No Chg.	No Chg.	Qs

Z=High Impedance
X=Don't Care

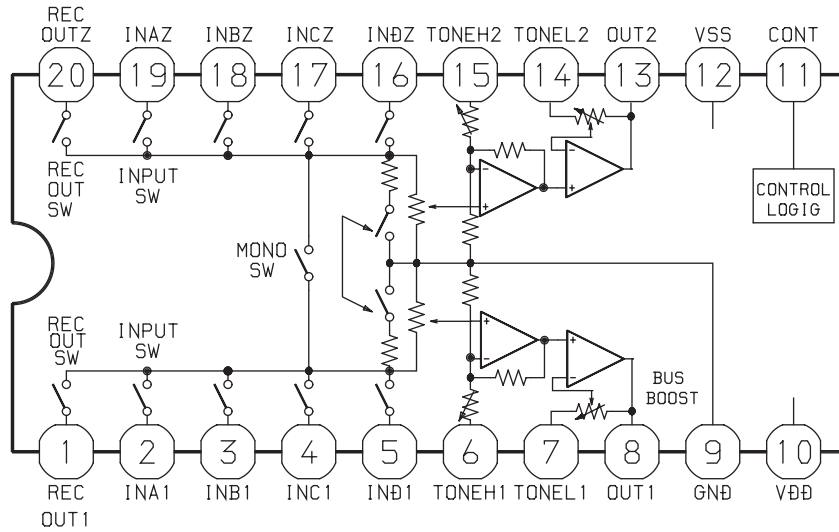
IC, M62431FP



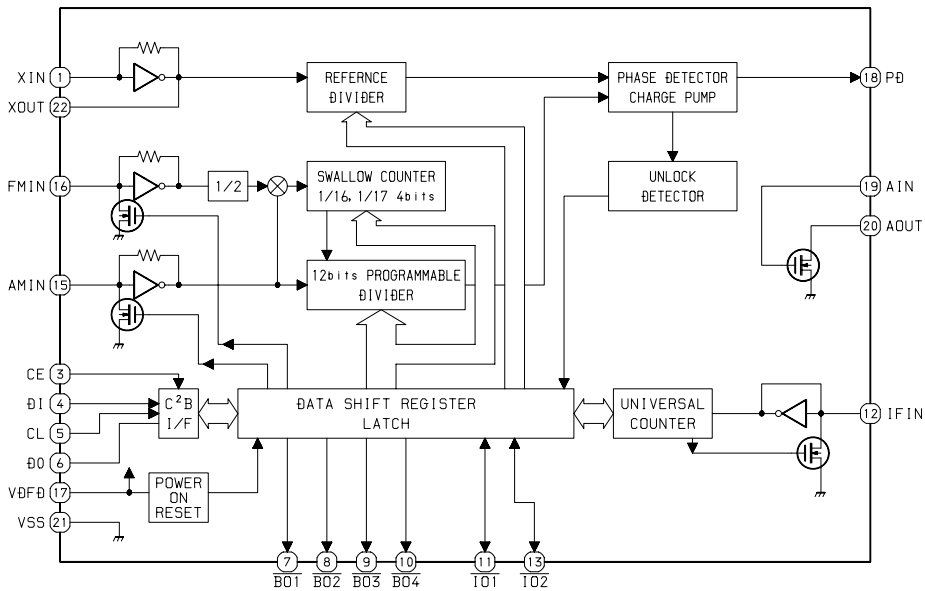
IC, BA3880S



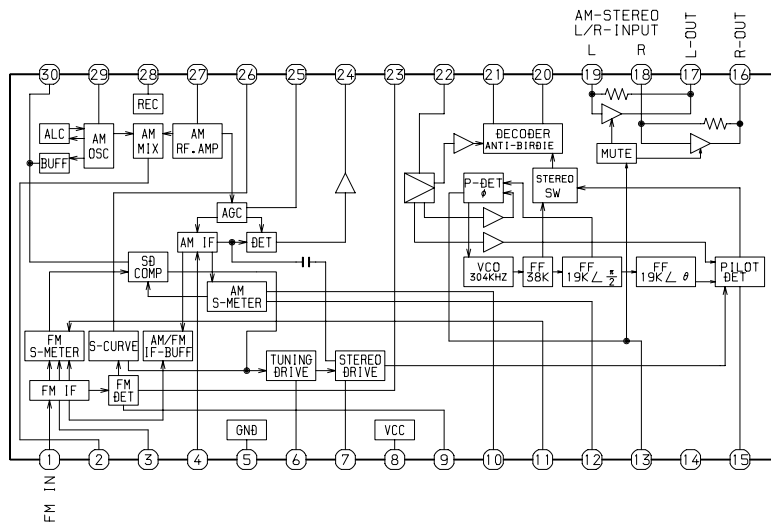
IC, M62439SP



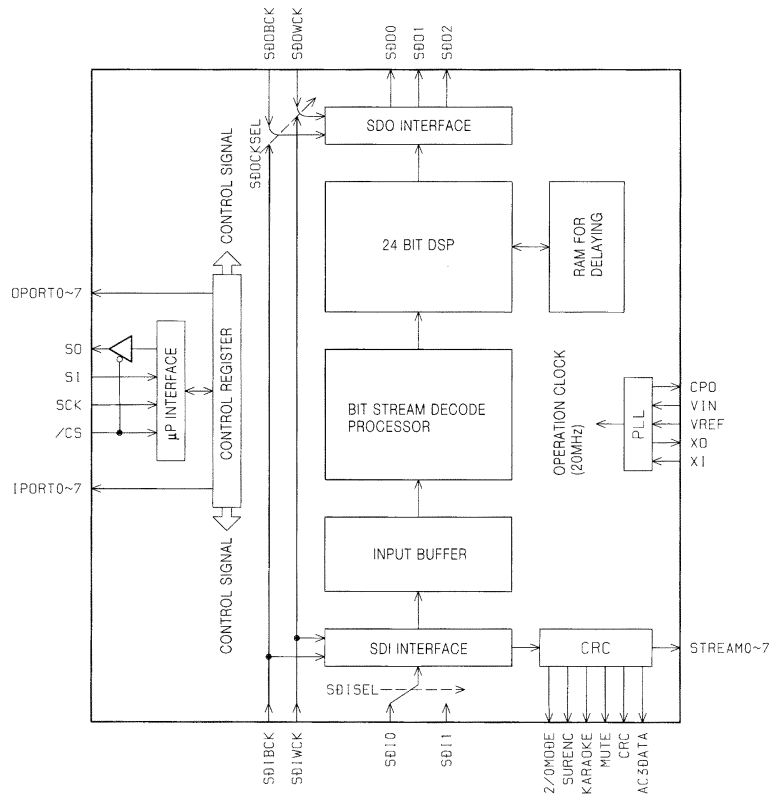
IC, LC72131D



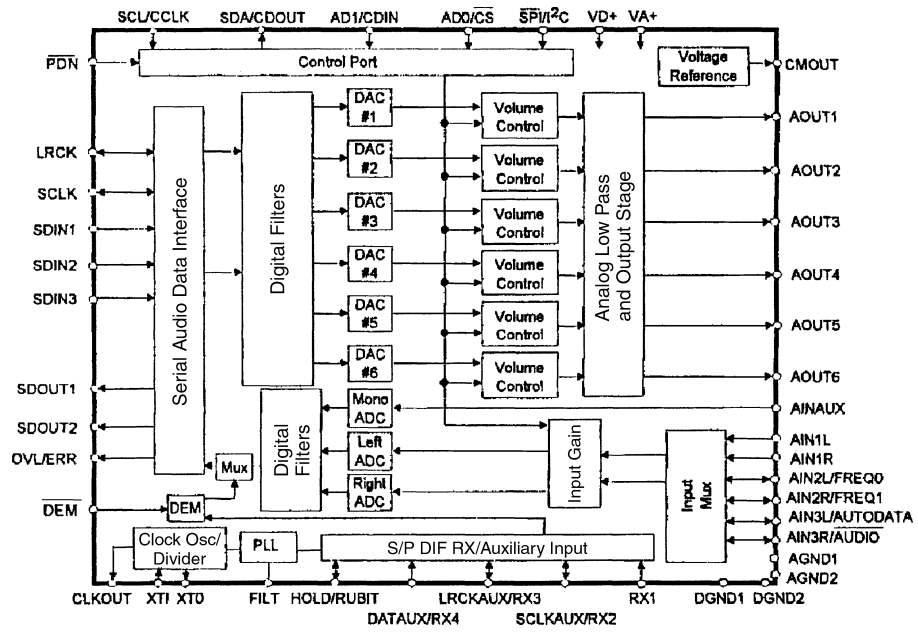
IC, LA1837NL



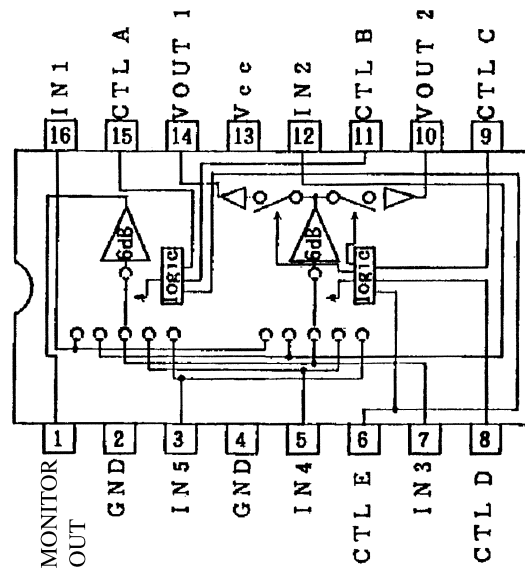
IC, YSS248



IC, CS4226



IC, BA7625



IC DESCRIPTION
IC, UPD780228GF

Pin No.	Pin Name	I/O	Description
1	$\overline{K-SCAN}$	O	Scan output to diode input (Active "L").
2	O-PLL-CE	O	Tuner PLL chip enable output.
3	O-DATA (M)	O	Sound CTRL, PLL, DOLBY PROLOGIC or DSP, AC-3 VOL, GEQ. Data output.
4	$\overline{TUNE/IFC}$	I	Tuner $\overline{TUNE/IFC}$ detection input.
5	O-STB (M)	O	Sound CTRL, KEYCON strobe output.
6	O-MUTE	O	System mute ON/OFF output.
7	O-CLK (M)	O	Sound CTRL, PLL, DOLBY PROLOGIC or DSP, AC-3 VOL, GEQ. Clock output.
8	O-OSD (CE)	O	OSD chip enable output.
9	/I-SYNC-DET	O	System power supply. $\overline{ON/OFF}$ output.
10	O-PRO-CE/O-DSP-CE	O	DOLBY PROLOGIC or DSP chip enable output.
11	—	—	Not used.
12	TM-BASE	I	Reference clock input for watch.
13	—	O	IC101. Strobe output from shift register (1).
14-16	—	—	Not used.
17	IC	—	GND.
18	VSS	—	GND.
19	VDD	—	Power supply pin.
20, 21	—	—	Not used.
22	\overline{CS}	O	DOLBY digital (AC-3) control. CS output.
23	SCK	O	DOLBY digital (AC-3) control. Clock output.
24	SI	O	DOLBY digital (AC-3) control. Data output.
25	SO	I	DOLBY digital (AC-3) control. Data input.
26	SDA	I	CODEC IC (CS4226) control. Data output.
27	$\overline{ADO/CS}$	O	CODEC IC (CS4226) control. \overline{CS} output.
28	I-RDS-CLK	I	RDS clock input (external interrupt).
29	I-RDS-DATA	I	RDS data input.
30	\overline{RESET}	—	Reset.
31	O-CONT.1	O	Master VOL control output for SL/SR.
32	O-CONT.2	O	Master VOL control output for center/SUB-woofer (TRIM control output for center/SUB-woofer).
33	OSD-CLK	O	OSD clock output.
34	$\overline{I-RMC}$	I	Remote control input.
35	OSD-DATA	O	OSD data output.
36	C-SHIFT	O	Microprocessor clock shift output (Active "H").
37	VDD1	—	Power supply pin.
38	X1	—	Connected to 5.76MHz oscillator.
39	X2	—	Connected to 5.76MHz oscillator.
40	VSS1	—	GND.
41	AVDD	—	Power supply pin.
42	\overline{HOLD}	I	System power supply voltage monitoring. AD input.
43	I-RE-VOL	I	Rotary encoder (VOL). AD input.

Pin No.	Pin Name	I/O	Description
44	I-SYNC-DET/I-RDS-SIG	I	OSD sync. AD input. RDS tuning signal level. AD input.
45	I-JOG2	I	Rotary encoder (JOG2). AD input.
46	I-FU-JOG1	I	Function selector rotary encoder (JOG1). AD input.
47, 48	I-KEY2, I-KEY1	I	Key 2, 1. AD input.
49	I-MIC	I	Microphone signal level detector. AD input.
50	AVSS	—	ADND.
51	O-STB-31	O	GEQ IC chip enable output.
52	POWER-LED	O	Power LED ON/ $\overline{\text{OFF}}$ output (Active “H”).
53-64	P35-P24	O	FL segment output (P35-P24).
65	P23/I-AM10K	O	FL segment output (P23)/supporting AM step initialization 10 kHz.
66, 67	P22/I-VF.KC.EC	I/O	FL segment output (P22, P21)/supporting VF, key control, ECHO. Diode input.
68	P20/I-AC3	I/O	FL segment output (P20)/supporting AC-3. Diode input.
69-73	P19-O-P15	O	FL segment output (P19-P15).
74	P14/ $\overline{\text{I-STEREO}}$	I/O	FL segment output (P14). Turner/stereo detection input (stereo at “L”).
75	P13/ $\overline{\text{I-HPMUTE}}$	I/O	FL segment output (P13). Headphones insertion detection input (HP insertion at “L”).
76-78	P12-P10	O	FL segment output (P12-P10).
79	VDD2	—	Power supply pin.
80	-VFL	—	– Voltage.
81-89	P9-P1	O	FL segment output (P9-P1).
90-100	G11-G1	O	FL grid output (G11-G1).

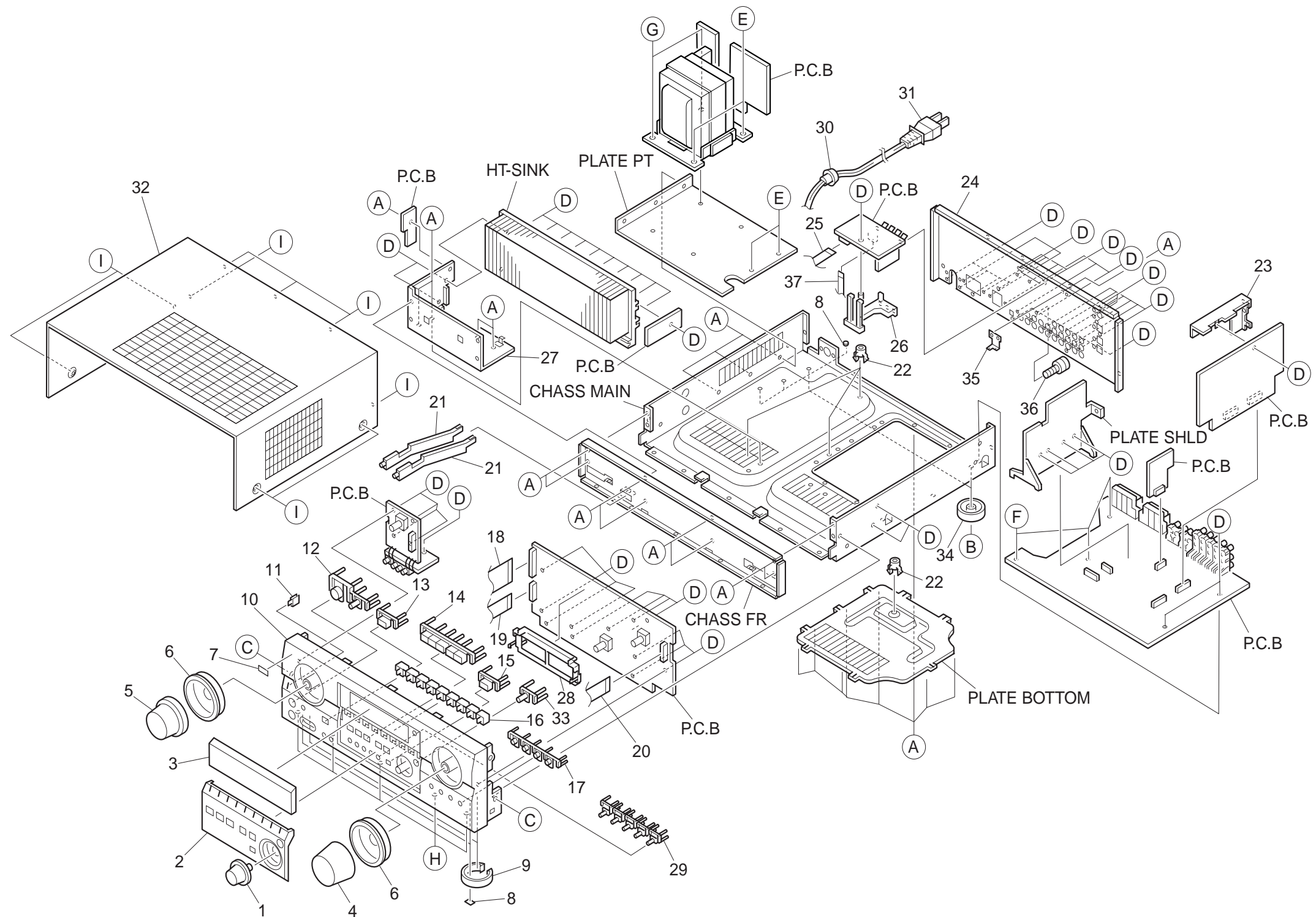
MECHANICAL PARTS LIST 1/1

DESCRIPTIONで判断できない物は "REFERENCE NAME LIST" を参照してください。
 If can't understand for Description please kindly refer to "REFERENCE NAME LIST".

REF. NO	PART NO.	KANRI NO.	DESCRIPTION	REF. NO	PART NO.	KANRI NO.	DESCRIPTION
1	8Z-AR1-013-010		KNOB,RTRY JOG	26	88-AR1-203-010		HLDR,TU
2	8Z-AR1-033-010		PANEL,FR EZ	27	8Z-AR1-205-010		HLDR,HT-SINK
3	8Z-AR1-014-010		WINDOW,DISPLAY	28	88-NF6-205-010		GUIDE,FL 40-150- 9
4	8Z-AR1-011-010		KNOB,RTRY VOL	30	87-085-185-010		BUSHING, AC CORD (E)
5	8Z-AR1-012-010		KNOB,RTRY FUN	△ 31	87-050-079-010		AC-CORD ASSY,E
6	8Z-AR1-017-010		RING,VOL	32	8Z-AR1-003-010		CABI,STEEL
7	82-NE6-067-010		BADGE,AIWA 30N	33	8Z-AR1-007-010		KEY,ENTER
8	8Z-NB8-240-010		COVER, PL	34	8Z-AR1-021-110		FOOT,REAR
9	8Z-AR1-020-110		RING,FOOT SIL	35	8Z-AR1-210-010		HLDR,PT PWB
10	8Z-AR2-008-010		CABI,FR EZ	36	88-904-181-110		FF-CABLE,4P 1.25
11	8Z-AR1-016-010		REFLECTOR,ECO	37	8Z-AR1-030-010		KEY,RDS
12	8Z-AR1-004-010		KEY,POWER	A	87-067-584-010		TAPPING SCREW, BVT2+3-6
13	8Z-AR1-019-010		KEY,MONITOR	B	87-067-641-010		UTT2+3-8(W/O SLOT)BL
14	8Z-AR1-005-010		KEY,GEQ	C	87-591-095-410		TAPPING SCREW, QIT+3-8 (GLD)
15	8Z-AR1-006-010		KEY,DIGITAL	D	87-067-703-010		TAPPING SCREW, BVT2+3-10
16	8Z-AR1-015-010		REFLECTOR,FUN	E	87-067-975-010		S-SCREW,IT+4-8
17	8Z-AR1-018-010		KEY,BBE	F	87-067-581-010		TAPPING SCREW, BVT2+3-15
18	8Z-AR1-604-010		FF-CABLE, 35P 1.25 400MM	F	87-067-632-010		TAPPING SCREW, BVT2+3-15
19	88-917-101-210		FF-CABLE, 17P 1.25	G	87-078-191-010		S-SCREW,IT+4-10
20	8Z-AR1-605-010		FF-CABLE, 13P 1.25 400MM	H	87-067-761-010		TAPPING SCREW, BVT2+3-10
21	8Z-AR1-010-010		BTN,SP	I	87-067-689-010		TAPPING SCREW, BVTT+3-8
22	88-AR1-218-010		HLDR,PWB H8.9				
23	8Z-AR1-219-010		HLDR,PWB PRO				
24	8Z-AR2-002-010		PANEL,REAR EZBNM				
25	88-911-161-110		FF-CABLE,11P 1.25				

COLOR NAME TABLE

Basic color symbol	Color	Basic color symbol	Color	Basic color symbol	Color
B	Black	C	Cream	D	Orange
G	Green	H	Gray	L	Blue
LT	Transparent Blue	N	Gold	P	Pink
R	Red	S	Silver	ST	Titan Silver
T	Brown	V	Violet	W	White
WT	Transparent White	Y	Yellow	YT	Transparent Yellow
LM	Metallic Blue	LL	Light Blue	GT	Transparent Green
LD	Dark Blue	DT	Transparent Orange		



REFERENCE NAME LIST

ELECTRICAL SECTION

DESCRIPTION	REFERENCE NAME
ANT	ANTENNAS
C-	CHIP
C-CAP	CAP, CHIP
C-CAP TN	CAP, CHIP TANTALUM
C-COIL	COIL, CHIP
C-DI	DIODE, CHIP
C-DIODE	DIODE, CHIP
C-FET	FET, CHIP
C-FOTR	FILTER, CHIP
C-JACK	JACK, CHIP
C-LED	LED, CHIP
C-RES	RES, CHIP
C-SFR	SFR, CHIP
C-SLIDE SW	SLIDE SWITCH, CHIP
C-SW	SWITCH, CHIP
C-TR	TRANSISTOR, CHIP
C-VR	VOLUME, CHIP
C-ZENER	ZENER, CHIP
CAP, CER	CAP, CERA-SOL
CAP, E	CAP, ELECT
CAP, M/F	CAP, FILM
CAP, TC	CAP, CERA-SOL
CAP, TC-U	CAP, CERA-SOL SS
CAP, TN	CAP, TANTALUM
CERA FIL	FILTER, CERAMIC
CF	FILTER, CERAMIC
DL	DELAY LINE
E/CAP	CAP, ELECT
FILT	FILTER
FLTR	FILTER
FUSE RES	RES, FUSE
MOT	MOTOR
P-DIODE	PHOTO DIODE
P-SNSR	PHOTO SENSER
P-TR	PHOTO TRANSISTOR
POLY VARI	VARIABLE CAPACITOR
PPCAP	CAP, PP
PT	POWER TRANSFORMER
PTR, RES	PTR, MELF
RC	REMOTE CONTROLLER
RES NF	RES, NON-FLAMMABLE
RESO	RESONATOR
SHLD	SHIELD
SOL	SOLENOID
SPKR	SPEAKER
SW, LVR	SWITCH, LEVER
SW, RTRY	SWITCH, ROTARY
SW, SL	SWITCH, SLIDE
TC CAP	CAP, CERA-SOL
THMS	THERMISTOR
TR	TRANSISTOR
TRIMMER	CAP, TRIMMER
TUN-CAP	VARIABLE CAPACITOR
VIB, CER	RESONATOR, CERAMIC
VIB, XTAL	RESONATOR, CRYSTAL
VR	VOLUME
ZENER	DIODE, ZENER

MECHANICAL SECTION

DESCRIPTION	REFERENCE NAME
ADHESHIVE	SHEET ADHESHIVE
AZ	AZIMUTH
BAR-ANT	BAR-ANTENNA
BAT	BATTERY
BATT	BATTERY
BRG	BEARING
BTN	BUTTON
CAB	CABINET
CASS	CASSETTE
CHAS	CHASSIS
CLR	COLLAR
CONT	CONTROL
CRSR	CURSOR
CU	CUSHION
CUSH	CUSHION
DIR	DIRECTION
DUBB	DUBBING
FL	FRONT LOADING
FLY-WHL	FLYWHEEL
FR	FRONT
FUN	FUNCTION
G-CU	G-CUSHION
HDL	HANDOL
HIMERON	CLOTH
HINGE, BAT	HINGE, BATTERY
HLDR	HOLDER
HT-SINK	HEAT SINK
IB	INSTRUCTION BOOKLET
IDLE	IDLER
IND, L-R	INDICATOR, L-R
KEY, CONT	KEY, CONTROL
KEY, PRGM	KEY, PROGRAM
KNOB, SL	KNOB, SLIDE
LBL	LABEL
LID, BATT	LID, BATTERY
LID, CASS	LID, CASSETTE
LVR	LEVER
P-SP	P-SPRING
PANEL, CONT	PANEL, CONTROL
PANEL, FR	PANEL, FRONT
PRGM	PROGRAM
PULLY, LOAD MO	PULLY, LOAD MOTOR
RBN	RIBBON
S-	SPECIAL
SEG	SEGMENT
SH	SHEET
SHLD-SH	SHIELD-SHEET
SL	SLIDE
SP	SPRING
SP-SCREW	SPECIAL-SCREW
SPACER, BAT	SPACER, BATTERY
SPR	SPRING
SPR-P	P-SPRING
SPR-PC-PUSH	P-SPRING, C-PUSH
T-SP	T-SPRING
TERM	TERMINAL
TRIG	TRIGGER
TUN	TUNING
VOL	VOLUME
W	WASHER
WHL	WHEEL
WORM-WHL	WORM-WHEEL

サービス技術ニュース	
番号	連絡内容
G- -	
G- -	
G- -	

アイワ株式会社 〒110-8710 東京都台東区池之端1-2-11 ☎03(3827)3111 (代表)
AIWA CO.,LTD. 2-11, IKENOHATA 1-CHOME, TAITO-KU, TOKYO 110-8710, JAPAN TEL:03 (3827) 3111